



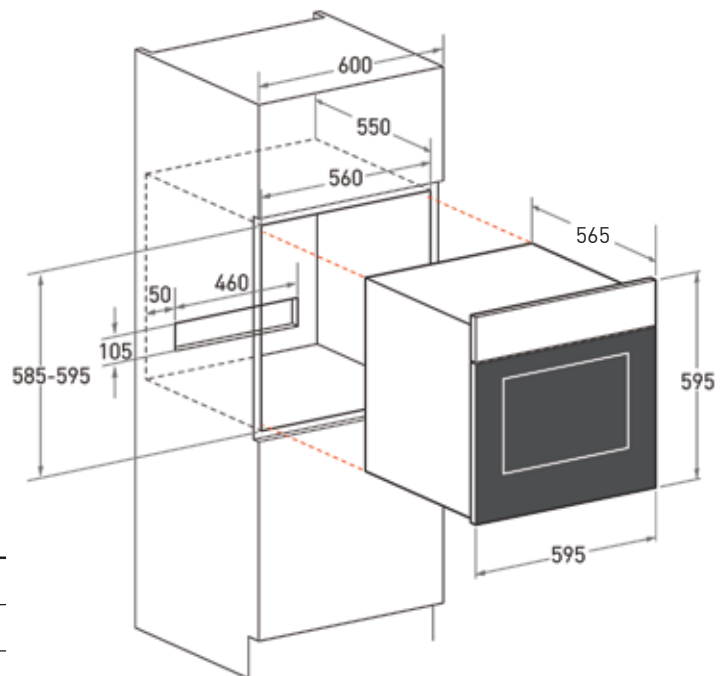
# mayer



## Oven

### MMDO13CS

- Child lock
- Oven lamp
- Energy Class: A+
- Manual Rotisserie
- Triple glass door
- Cavity cooling system
- Removable door plate
- Digital Display + Slider Controls
- 2 catalytic self cleaning (Left & Right)
- 1 Shallow Baking Tray, 1 Deep Baking Tray & 1 Grilling Rack
- 13 Functions: Lamp, Conventional, Radiant heat, Double grill, Double grill + fan, bottom heat, conventional + fan, Convection, Pre-heating, pizza, defrost, ECO, Fermentation



Product Dimensions WxDxH (mm)	595 x 565 x 595
Cut Out Dimensions WxDxH (mm)	560 x 550 x 585-595
Rated Voltage	220-240V ~ 50-60Hz
Oven Lamp	Halogen + Side Lamps
Total Power	3Kw / 13 Amp Plug
Temperature	30 - 250°C
Oven Capacity	75L
Gross Weight	Approx. 35.6 Kg
Net Weight	Approx. 31.5 Kg



Barcode  
9557496151118

**SAFETY MARK**  
200071-24

e-Warranty registration  
<https://www.mayer.sg/>