



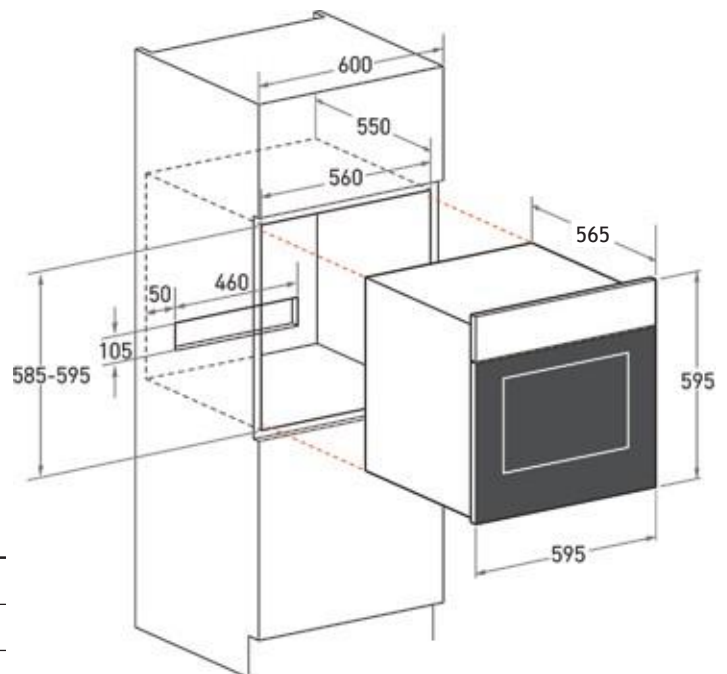
mayer



Oven MMDO15P

- Rotisserie
- Child lock
- Energy Class: A+
- Halogen +Side Flat Lamps
- Sabbath Mode
- Cavity cooling system
- Removable door plate
- Pyrolytic Cleaning Function
- Digital Display +Slider Controls
- Quadruple glass door with soft close
- 1 Deep Baking Tray, 1 Shallow Baking Tray,
1 Grilling Rack, 1 Set of Telescopic Rails
- 14 Functions: Lamp, Conventional,Radiant heat,
Double Grill, Double Grill + Fan, bottom heat,
conventional + fan, Convection, Pre-heating,
pizza, defrost, ECO,Fermentation, Pyrolysis

Product Dimensions WxDxH (mm)	595 x 565 x 596
Cut Out Dimensions WxDxH (mm)	560 x 550 x 585-595
Rated Voltage	220-240V ~ 50-60Hz
Oven Lamp	Halogen + Side Lamps
Total Power	3.2Kw / 15 Amp Plug
Temperature	30 - 250°C
Oven Capacity	75L
Gross Weight	Approx. 35.6 Kg
Net Weight	Approx. 31.5 Kg



e-Warranty registration
<https://www.mayer.sg/>