

mISTRAL

16" DC Ceiling Fan with Remote Flexa - CF



CORNER / CEILING FAN

Please read this instruction manual thoroughly before operating and keep it for future reference

IMPORTANT SAFETY INSTRUCTIONS



Thank you for purchasing our product. Before operating this set, please ensure that you have read the instructions thoroughly.



Use only with the rated voltage of 220-240V, 50-60Hz.



To ensure safety during cleaning or maintenance tasks, please switch off the power supply, wait until the blade comes to a complete stop before proceeding with any cleaning or maintenance tasks.

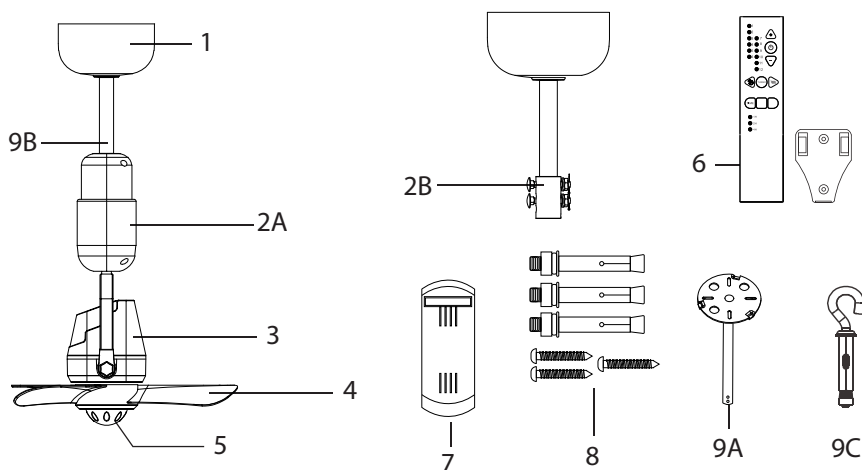


This product is not intended for use by individuals, including children, who have reduced physical, sensory, or mental capabilities or lack the necessary experience and knowledge, unless they are under proper supervision or instruction. It is important to supervise children to ensure that they do not play with the product.

PRODUCT TECHNICAL PARAMETERS

MODEL	RATED VOLTAGE	RATED POWER
FLEXA - CF	220-240V~, 50-60Hz	30W

SUPPLIED PARTS

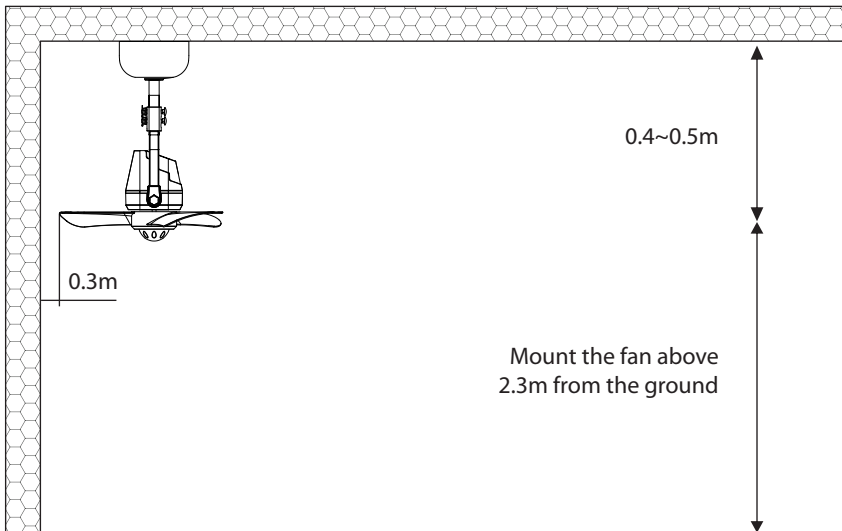


Item	Parts	QTY
1	Upper Canopy	1 Set
2A	Suspension Rod Joint(TINY 16)	1 Set
2B	Suspension Rod Joint(VIVI 16)	1 Set
3	Decorative cover	1 Set
4	Fan Blade	3 pcs
5	Blade Nut	1 Set
6	Remote Control	1 Set
7	Receiver Unit	1 Set
8	Screw Pack	1 Set
9A	Straight Pole With Tray for Ceiling Mounting	1 Set
9B	L Pole With Tray for Wall Mounting	1 Set
9C	J Hook	1 Set

HOW TO INSTALL THE FAN

The following steps will guide you to a successful installation

1. Wall mounting.
2. Install the safety cable.
3. Connecting the power supply.
4. Install fan blades.
5. Install the remote control holder.
6. How to use the remote control.



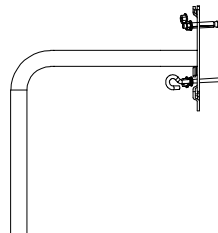
WARNING

The ceiling fan should be mounted at a height of at least 2.3 meters from the floor to ensure proper airflow and safety.

WALL MOUNTING

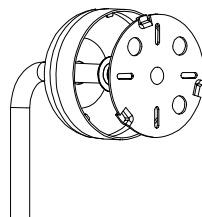
Step 1

Screw the L pole with tray on the wall or screw the straight pole with tray on the ceiling.



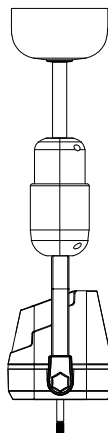
Step 2

Insert the Upper Canopy into the L pole / straight pole .



Step 3

Assemble the body on pole .



Remark: The installation method for ceiling mounting is same as wall mounting



INSTALL THE SAFETY CABLE



WARNING

Secure the Safety Cable to prevent injury in case the ceiling fan drops.

1. Remove the safety cable screw from the downrod.
2. Loop the safety cable as shown in Figure 2 below.
3. Tighten back the screw at the downrod and make sure the screw is securely fixed.

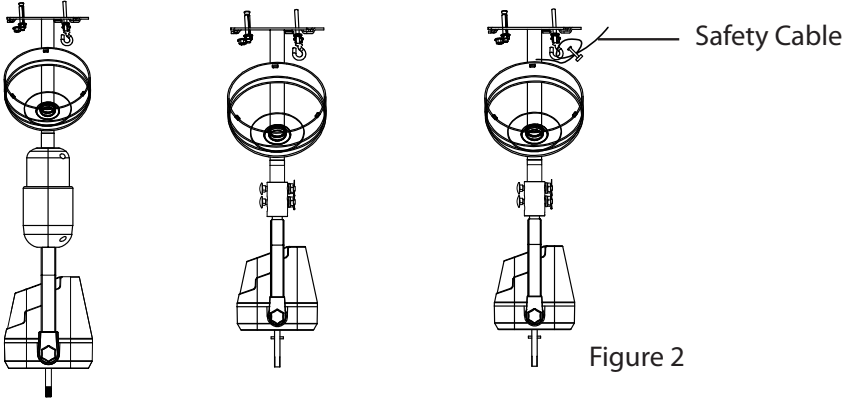
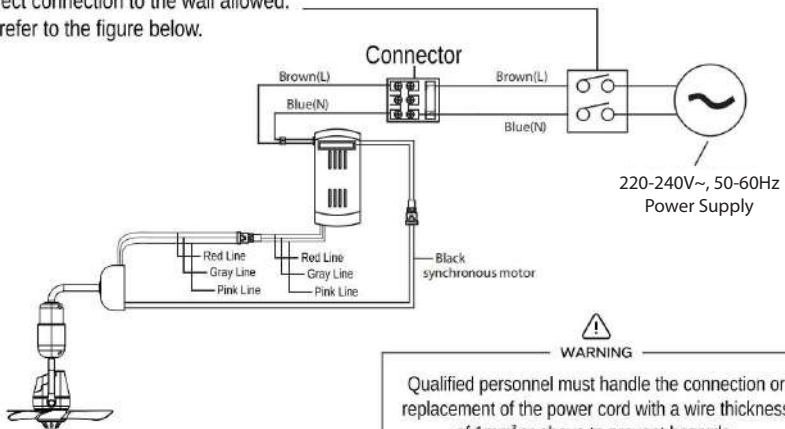


Figure 2

CONNECTING THE POWER SUPPLY

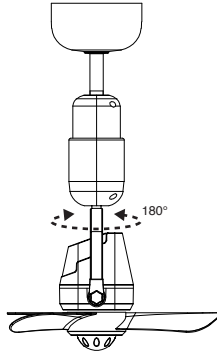
Only direct connection to the wall allowed.
Please refer to the figure below.



WARNING

Qualified personnel must handle the connection or replacement of the power cord with a wire thickness of 1mm² or above to prevent hazards.

INSTALL FAN BLADES



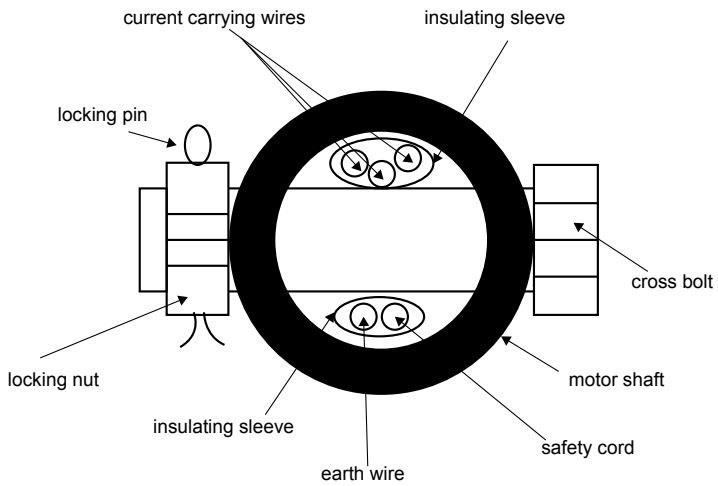
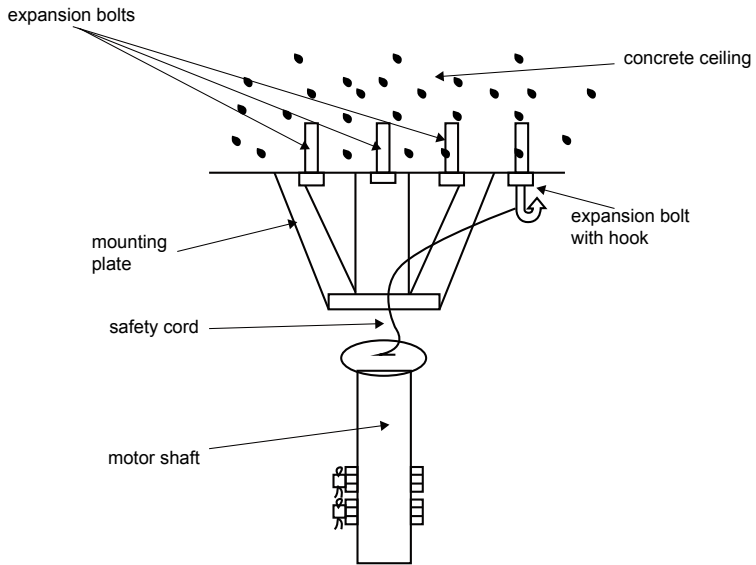
Step1. Insert the Blade into Motor bear, make sure it is in the right place.

Step2. Anticlockwised the blade Nut .

NOTE: Manual rotation MAX 90° (up and down).

Manual rotation MAX 180° (left and right). (For the TINY 16)

INSTALL THE REMOTE CONTROL HOLDER



Acceptable (wires not under stress)

HOW TO USE THE REMOTE CONTROL

ON/OFF BUTTON
Turns ON/OFF ceiling fan

SPEED BUTTONS 

Press the SPEED button to turn on the fan and cycle through the speeds in the sequence: (1, 2, 3, 4, 5, 6, 7, 8, 9, 10, 11, 12.) *The fan will automatically resume operation at the last speed setting used before it was powered off.

NL. WIND BUTTON  Natura/Wind

This function simulates the effect of a natural breeze. The fan will automatically increase its speed from speed 1 to 12 every 8 seconds, and then decreases back from speed 12 to speed 1.

SLEEP WIND BUTTON 

Turn off the sleep wind mode (Speed 1).

TIMER BUTTON

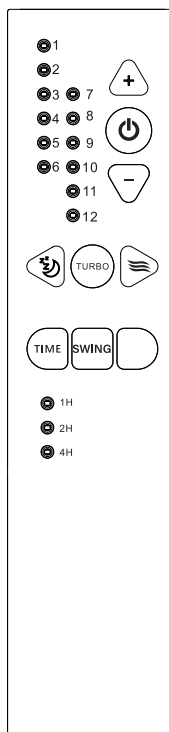
Set the desired duration at 1/2/4/Hrs.

TURBO BUTTON


Turn on turbo mode for maximum fan speed(12).

SWING BUTTON

Turn ON/OFF the Swing mode
(For TINY 16).



STEPS FOR CODE MATCHING

1. Pairing Method : Switch on the fan, press the () for up to 20 seconds until you hear a "beep". indicating a successful code matching. If the code does not match successfully, turn off the power and wait for 1 minute before repeating the above operation.
2. If the remote control is not functioning properly, check the battery first. Remove the battery if the remote control will not be used for an extended period of time.

MAINTENANCE

To maintain proper and safe usage, it is highly recommended to inspect and tighten all connections every 6 months. Due to the natural movement of the fan, connections may become loose over time, and regular inspection helps ensure their stability.

CLEANING

To maintain its new appearance, it is important to clean your fan periodically. Follow these basic cleaning procedures:

1. Only use lukewarm water; avoid detergents, corrosive, or acidic solutions.
2. Dampen a soft or lint-free cloth lightly for cleaning. Rough fabrics can scratch the surface.
3. To protect and enhance the appearance of ABS blades, apply a thin coat of furniture polish.
4. For small scratches, apply a light coat of shoe polish to cover them.

TROUBLESHOOTING

Check on the following before lodging a service report.

PROBLEM	CAUSE	SOLUTION
Fan not moving	<ol style="list-style-type: none">1. Main cables not connected2. Wire connection loose	<ol style="list-style-type: none">1. Check the line wire connections to the fan and switch housing.
Fan noisy	<ol style="list-style-type: none">1. Housing screws are loose2. Wire and nut connections are rattling against each other3. Canopy is touching the ceiling	<ol style="list-style-type: none">1. Tighten all screws2. When storing, neatly separate the wire connections from the nut3. Check the canopy's proximity to the ceiling is not too close or touching.
Remote Control not working	<ol style="list-style-type: none">1. Remote and receiver code different2. Battery not installed3. Weak battery	<ol style="list-style-type: none">1. Refer page 6 repairing the remote2. Install the remote control holder3. Replace the battery



Disposal

The product must not be disposed of via normal household waste after its service life, but must be taken to a collection station for recycling of electrical and electronic devices. The symbol on the product, the operating instructions or the packaging indicates such disposal procedures. The materials recyclable in accordance with their respective symbol. By means of re-use, material recycling or any other form of recycling old appliances, you are making an important contribution to the protection of our environment.



Keep the original packaging in a safe place so that you may use it in the event that transportation or shipping of the product becomes necessary.

Warranty & Customer Service

SCAN FOR



e-Warranty

e-Warranty Registration at www.mayer.sg

MAYER MARKETING PTE LTD

Customer Service Hotline: 6542-8383 (Mon - Fri 9:00am to 5:00 pm)

Service Centre Operating Hours:

Mon - Fri: 9:00am to 5:00pm

Sat: 9:00am to 12:00pm

Closed on Sunday & Public Holidays

71 Ubi Crescent, #06-02, Excalibur Centre, Singapore 408571.

For more information on warranty policy, please visit:

<https://mayer.sg/pages/warranty-return-and-exchange-policy>

mISTRAL

16" DC Wall Fan with Remote Flexa - WF



CORNER / WALL FAN

Please read this instruction manual thoroughly before operating and keep it for future reference

IMPORTANT SAFETY INSTRUCTIONS



Thank you for purchasing our product. Before operating this set, please ensure that you have read the instructions thoroughly.



Use only with the rated voltage of 220-240V, 50-60Hz.



To ensure safety during cleaning or maintenance tasks, please switch off the power supply, wait until the blade comes to a complete stop before proceeding with any cleaning or maintenance tasks.

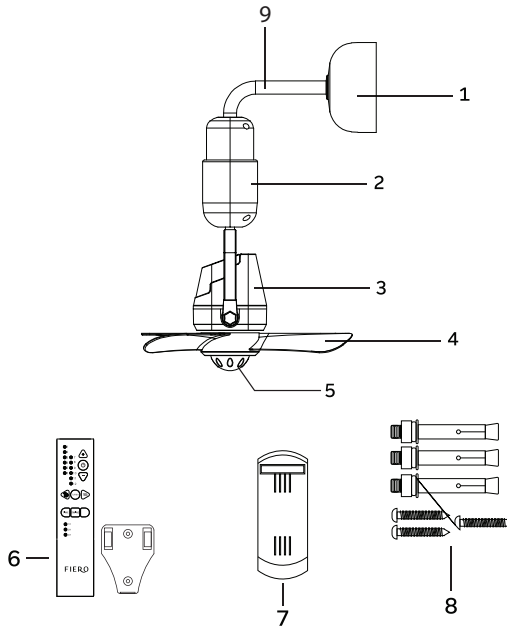


This product is not intended for use by individuals, including children, who have reduced physical, sensory, or mental capabilities or lack the necessary experience and knowledge, unless they are under proper supervision or instruction. It is important to supervise children to ensure that they do not play with the product.

PRODUCT TECHNICAL PARAMETERS

MODEL	RATED VOLTAGE	RATED POWER
FLEXA-WF	220-240V~, 50-60Hz	30W

SUPPLIED PARTS

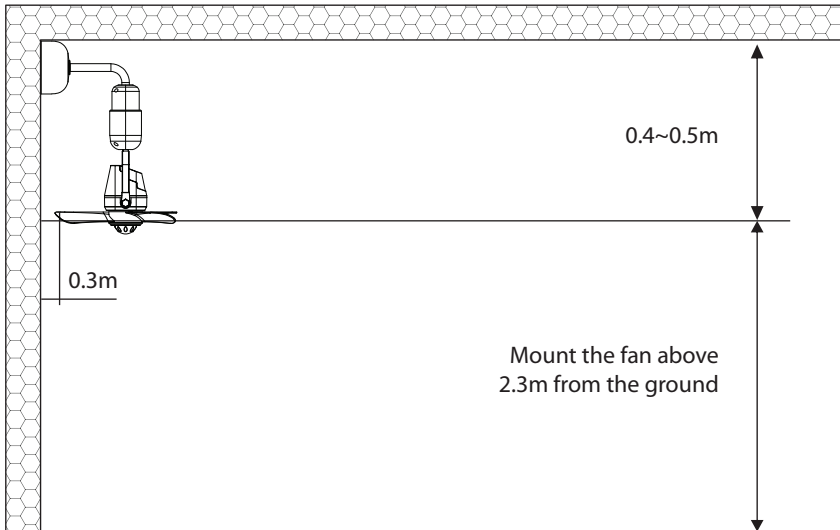


Item	Parts	QTY
1	Upper Canopy	1 Set
2	Fan Body	1 Set
3	Decorative cover	1 Set
4	Fan Blade	3 pcs
5	Blade Nut	1 Set
6	Remote Control	1 Set
7	Receiver Unit	1 Set
8	Screw Pack	1 Set
9	L Pole With Tray for Wall Mounting	1 Set

HOW TO INSTALL THE FAN

The following steps will guide you to a successful installation

1. Wall mounting .
2. Install the safety cable.
3. Connecting the power supply.
4. Install fan blades.
5. Install the remote control holder.
6. How to use the remote control.



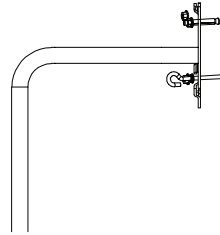
WARNING

The wall fan should be mounted at a height of at least 2.3 meters from the floor to ensure proper airflow and safety.

WALL MOUNTING

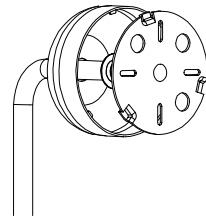
Step 1

Screw the L pole with tray on the wall or screw the straight pole with tray on the ceiling.



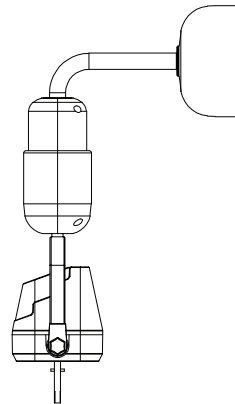
Step 2

Insert the Upper Canopy into the L pole / straight pole .



Step 3

Assemble the body on pole .



INSTALL THE SAFETY CABLE

1. Remove the safety cable screw from the downrod.
2. Loop the safety cable as shown in Figure 2 below.
3. Tighten back the screw at the downrod and make sure the screw is securely fixed.



WARNING

Secure the Safety Cable to prevent injury in case the ceiling fan drops.

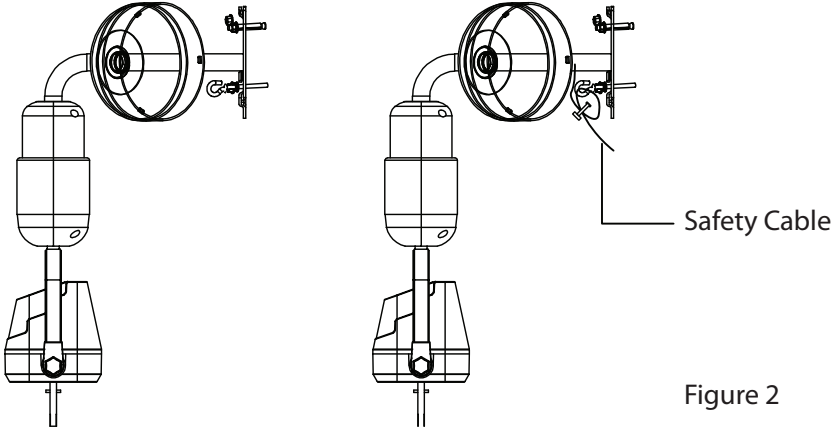
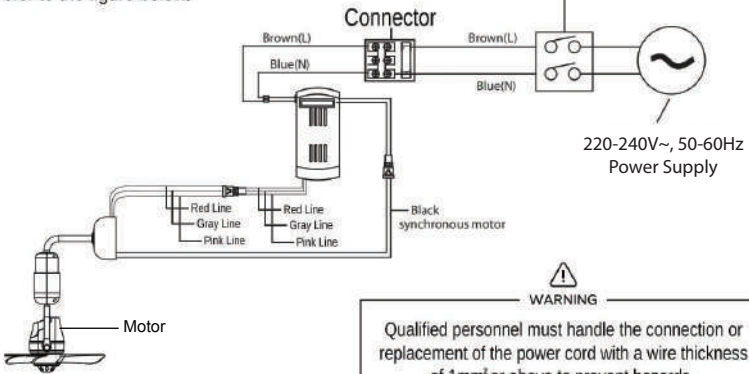


Figure 2

CONNECTING THE POWER SUPPLY

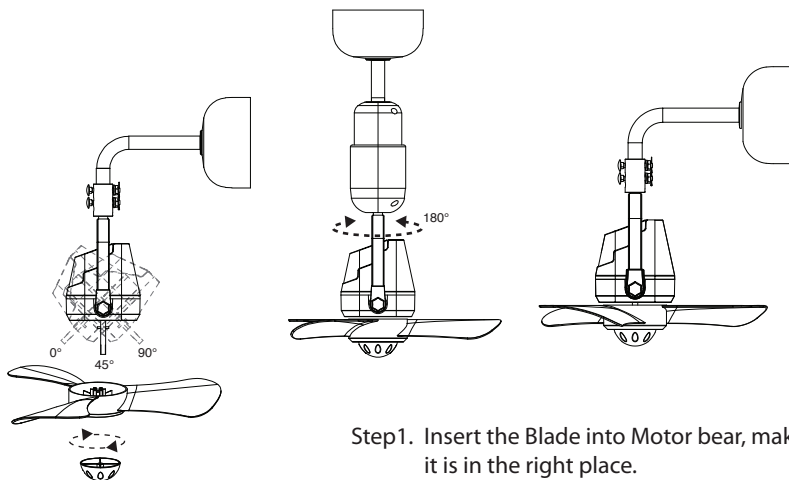
Only direct connection to the wall allowed.
Please refer to the figure below.



WARNING

Qualified personnel must handle the connection or replacement of the power cord with a wire thickness of 1mm² or above to prevent hazards.

INSTALL FAN BLADES



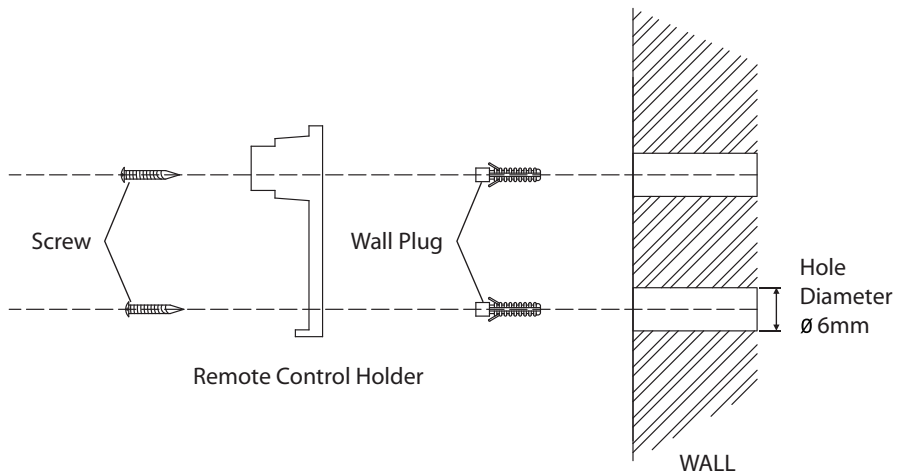
Step1. Insert the Blade into Motor bear, make sure it is in the right place.

Step2. Anticlockwised the blade Nut .

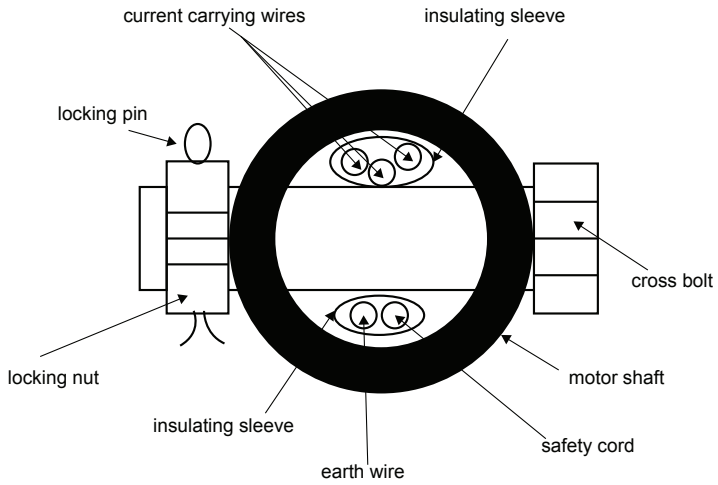
NOTE: Manual rotation MAX 90° (up and down).

Manual rotation MAX 180° (left and right).

INSTALL THE REMOTE CONTROL HOLDER



INSTALL THE REMOTE CONTROL HOLDER



Acceptable (wires not under stress)

HOW TO USE THE REMOTE CONTROL

 **ON/OFF BUTTON**
Turns ON/OFF ceiling fan

SPEED BUTTONS 

Press the SPEED button to turn on the fan and cycle through the speeds in the sequence: (1, 2, 3, 4, 5, 6, 7, 8, 9, 10, 11, 12.) *The fan will automatically resume operation at the last speed setting used before it was powered off.

 **NL. WIND BUTTON** Natura/Wind

This function simulates the effect of a natural breeze. The fan will automatically increase its speed from speed 1 to 12 every 8 seconds, and then decreases back from speed 12 to speed 1.

 **BUTTON**

Turn off the sleep wind mode (Speed 1).

TIMER BUTTON

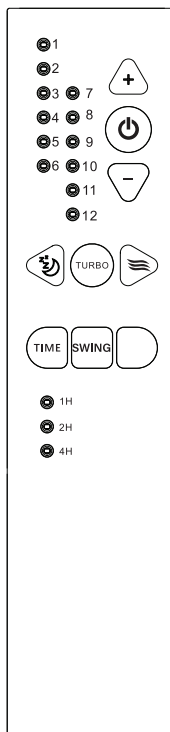
Set the desired duration at 1/2/4/Hrs.

TURBO BUTTON


Turn on turbo mode for maximum fan speed(12).

SWING BUTTON

Turn ON/OFF the Swing mode (For TINY 16).



STEPS FOR CODE MATCHING

1. Pairing Method : Switch on the fan, press the () for up to 20 seconds until you hear a "beep". indicating a successful code matching. If the code does not match successfully, turn off the power and wait for 1 minute before repeating the above operation.
2. If the remote control is not functioning properly, check the battery first. Remove the battery if the remote control will not be used for an extended period of time.

MAINTENANCE

To maintain proper and safe usage, it is highly recommended to inspect and tighten all connections every 6 months. Due to the natural movement of the fan, connections may become loose over time, and regular inspection helps ensure their stability.

CLEANING

To maintain its new appearance, it is important to clean your fan periodically. Follow these basic cleaning procedures:

1. Only use lukewarm water; avoid detergents, corrosive, or acidic solutions.
2. Dampen a soft or lint-free cloth lightly for cleaning. Rough fabrics can scratch the surface.
3. To protect and enhance the appearance of ABS blades, apply a thin coat of furniture polish.
4. For small scratches, apply a light coat of shoe polish to cover them.

TROUBLESHOOTING

Check on the following before lodging a service report.

PROBLEM	CAUSE	SOLUTION
Fan not moving	<ol style="list-style-type: none">1. Main cables not connected2. Wire connection loose	<ol style="list-style-type: none">1. Check the line wire connections to the fan and switch housing.
Fan noisy	<ol style="list-style-type: none">1. Housing screws are loose2. Wire and nut connections are rattling against each other3. Canopy is touching the ceiling	<ol style="list-style-type: none">1. Tighten all screws2. When storing, neatly separate the wire connections from the nut3. Check the canopy's proximity to the ceiling is not too close or touching.
Remote Control not working	<ol style="list-style-type: none">1. Remote and receiver code different2. Battery not installed3. Weak battery	<ol style="list-style-type: none">1. Refer page 6 repairing the remote2. Install the remote control holder3. Replace the battery



Disposal

The product must not be disposed of via normal household waste after its service life, but must be taken to a collection station for recycling of electrical and electronic devices. The symbol on the product, the operating instructions or the packaging indicates such disposal procedures. The materials recyclable in accordance with their respective symbol. By means of re-use, material recycling or any other form of recycling old appliances, you are making an important contribution to the protection of our environment.



Keep the original packaging in a safe place so that you may use it in the event that transportation or shipping of the product becomes necessary.

Warranty & Customer Service

SCAN FOR



e-Warranty

e-Warranty Registration at www.mayer.sg

MAYER MARKETING PTE LTD

Customer Service Hotline: 6542-8383 (Mon - Fri 9:00am to 5:00 pm)

Service Centre Operating Hours:

Mon - Fri: 9:00am to 5:00pm

Sat: 9:00am to 12:00pm

Closed on Sunday & Public Holidays

71 Ubi Crescent, #06-02, Excalibur Centre, Singapore 408571.

For more information on warranty policy, please visit:

<https://mayer.sg/pages/warranty-return-and-exchange-policy>