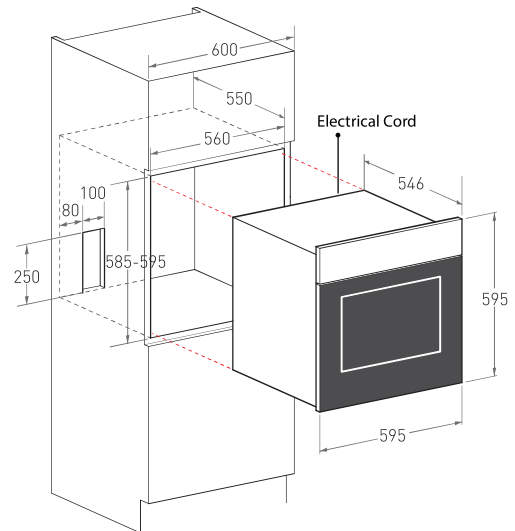


## Built-In Oven

### MMDO13C

- Volume: 81L
- Energy Class: A+
- Triple Glass Door
- Digital Display
- Cavity Cooling System
- Removable Door Plate
- Child Lock
- Manual rotisserie
- Catalytic Cleaning
- 13 Functions: Lamp, Conventional, Radiant Heat, Double Grill, Double Grill + Fan, Bottom Heat, Conventional + Fan, Convection, Preheat, Pizza, Defrost, ECO, Fermentation
- Accessories: Shallow Baking Tray x1, Grilling Rack x1, Rotisserie Spit x1



Model	MMDO13C
Gross Capacity	81L
Voltage	220-240V~50-60Hz
Wattage	2.5 kW / 13 AMP
Oven Lamp	Halogen + Side Lamps
Electrical Cord Length	100 mm
Plug Type	No Plug

Product Dimension	L595*W546*H595 mm
Built-In Dimension	L560*W550*H585 - 595 mm
Net Weight	31.5 KGS
Gross Weight	35.6 KGS



e-Warranty registration  
www.mayer.sg