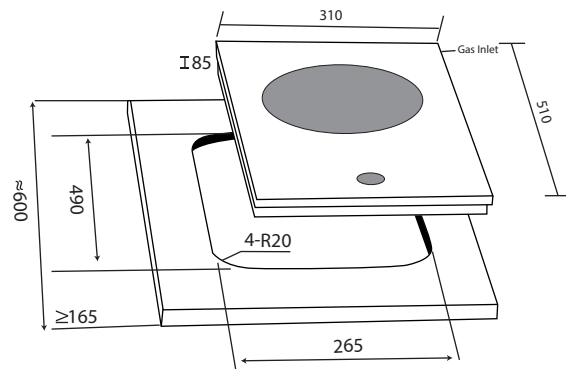


30cm Glass Gas Hob

MMGH130HI

- Double Layer Stainless Steel Energy Pan
- Instant Ignition
- Toughened Glass
- Safety Flame Failure Device
- Full Brass Burner
- Aluminium Venturi (Rust Resistant)
- Enamel Drip Tray
- 1 x Battery (Size: D)



Model	MMGH130HI
Voltage	DC1.5V
Wattage (PUB)	4.5 kW
Wok Burner x1 (PUB)	4.5 kW
Wattage (LPG)	5.0 kW
Wok Burner x1 (LPG)	5.0 kW

Wok Burners Dimension	26 - 28 cm
Product Dimension	L310*W510*H85 mm
Cut Out Dimension	L265*W490mm
Net Weight	6.1 KGS
Gross Weight	7.5 KGS



e-Warranty registration
www.mayer.sg