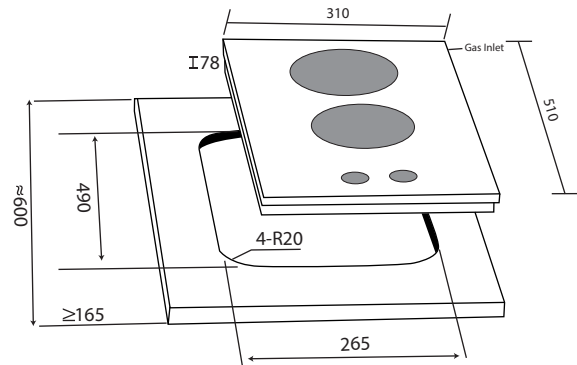


30cm Glass Gas Hob

MMGH230HI

- Instant Ignition
- Toughened Glass
- Safety Flame Failure Device
- 1x Full Brass Rapid Burner
- 1x Full Brass Auxiliary Burner
- Aluminium Venturi (Rust Resistant)
- Enamel Drip Tray
- Metal (Enamel Coated) Trivet
- 1 x Battery (Size: D)



| | |
|---------------------------|-----------|
| Model | MMGH230HI |
| Voltage | DC1.5V |
| Wattage (PUB) | 3.2 kW |
| Rapid Burner x1 (PUB) | 2.0 kW |
| Auxiliary Burner x1 (PUB) | 1.2 kW |
| Wattage (LPG) | 3.2 kW |
| Rapid Burner x1 (LPG) | 2.0 kW |
| Auxiliary Burner x1 (LPG) | 1.2 kW |

| | |
|----------------------------|------------------|
| Rapid Burner Dimension | 12 - 20 cm |
| Auxiliary Burner Dimension | 8 - 14 cm |
| Product Dimension | L310*W510*H78 mm |
| Cut Out Dimension | L265*W490mm |
| Net Weight | 6.1 KGS |
| Gross Weight | 7.2 KGS |



e-Warranty registration
www.mayer.sg