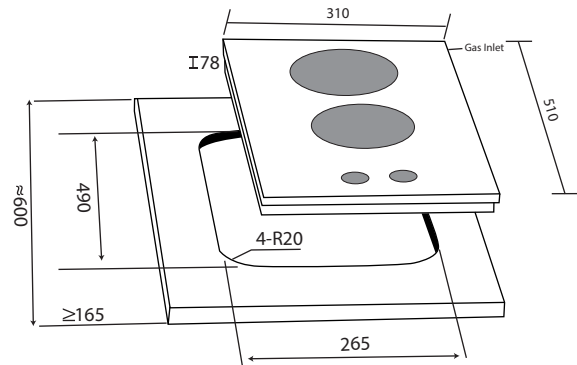


30cm Glass Gas Hob

MMGH230HI

- Instant Ignition
- Toughened Glass
- Safety Flame Failure Device
- 1x Full Brass Rapid Burner
- 1x Full Brass Auxiliary Burner
- Aluminium Venturi (Rust Resistant)
- Enamel Drip Tray
- Metal (Enamel Coated) Trivet
- 1 x Battery (Size: D)



Model	MMGH230HI
Voltage	DC1.5V
Wattage (PUB)	3.2 kW
Rapid Burner x1 (PUB)	2.0 kW
Axilliary Burner x1 (PUB)	1.2 kW
Wattage (LPG)	3.2 kW
Rapid Burner x1 (LPG)	2.0 kW
Axilliary Burner x1 (LPG)	1.2 kW

Rapid Burner Dimension	12 - 20 cm
Auxiliary Burner Dimension	8 - 14 cm
Product Dimension	L310*W510*H78 mm
Cut Out Dimension	L265*W490mm
Net Weight	6.1 KGS
Gross Weight	7.2 KGS



e-Warranty registration
www.mayer.sg