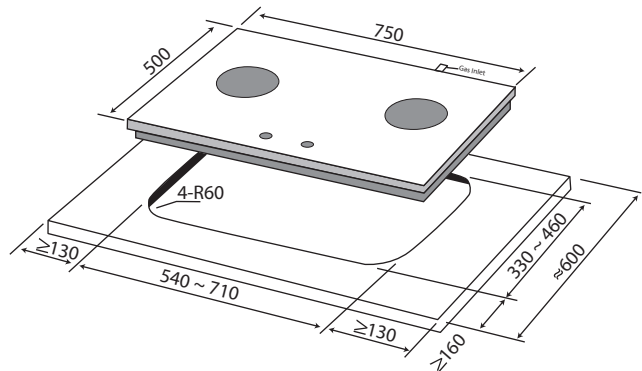


75cm Glass Gas Hob

MMGH7502HI

- 2 x Burner
- Tempered Glass
- Top Air System
- Flame Failure Safety Devices
- Enameled Trivets
- 2 x Matt Enamel Energy Gathered Pan
- 2 x Milk Stand
- Available in LPG and PUB



Model	MMGH7502HI
Voltage	DC1.5V
Wattage (PUB)	8.4 kW
Wok Burner x2 (PUB)	4.2 kW
Wattage (LPG)	8.0 kW
Wok Burner x2 (LPG)	4.0 kW

Wok Burners	12 - 26 cm
Product Dimension	L750*W500*H66 mm
Cut Out Dimension	L540-710*W330-460mm
Net Weight	15.5 KGS
Gross Weight	17.5 KGS



e-Warranty registration
www.mayer.sg