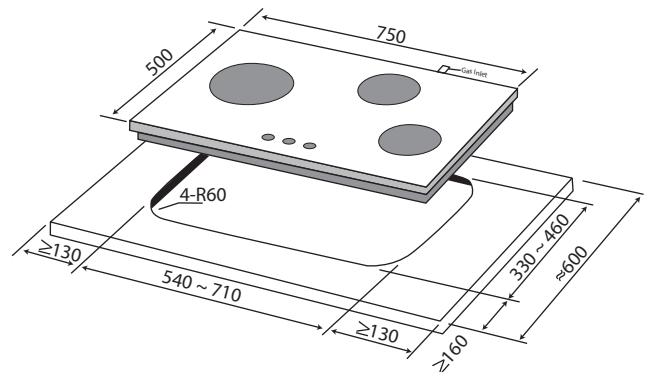


# 75cm Glass Gas Hob

MMGH7503HI

- 1 x Full Burner, 1x Rapid Burner, 1x Semi-Rapid Burner
- Tempered Glass
- Top Air System
- Flame Failure Safety Devices
- Enameled Trivets
- 1 x Matt Enamel Energy Gathered Pan
- 1 x Milk Stand
- Available in LPG and PUB



Model	MMGH7503HI
Voltage	DC1.5V
Wattage (PUB)	7.3 kW
Wok Burner x2 (PUB)	4.2 kW
Rapid Burner (PUB)	2.0 kW
Auxiliary Burner (PUB)	1.1 kW
Wattage (LPG)	7.7 kW
Wok Burner x2 (LPG)	4.0 kW
Rapid Burner (LPG)	2.2 kW
Auxiliary Burner (LPG)	1.5 kW

Wok Burners	12 - 26 cm
Rapid Burner	12 -22 cm
Semi-Rapid Burner	12 -22 cm
Product Dimension	L750*W500*H66 mm
Cut Out Dimension	L540-710*W330-460 mm
Net Weight	15 KGS
Gross Weight	17 KGS



e-Warranty registration  
www.mayer.sg