



Microwave Oven MMMW3020



Disposal

The product must not be disposed of via normal household waste after its service life, but must be taken to a collection station for recycling of electrical and electronic devices. The symbol on the product, the operating instructions or the packaging indicates such disposal procedures. The materials recyclable in accordance with their respective symbol. By means of re-use, material recycling or any other form of recycling old appliances, you are making an important contribution to the protection of our environment.



Keep the original packaging in a safe place so that you may use it in the event that transportation or shipping of the product becomes necessary.

Warranty & Customer Service

SCAN FOR



e-Warranty

e-Warranty Registration at www.mayer.sg

MAYER MARKETING PTE LTD

Customer Service Hotline: 6542-8383 (Mon - Fri 9:00am to 5:00 pm)

Service Centre Operating Hours:

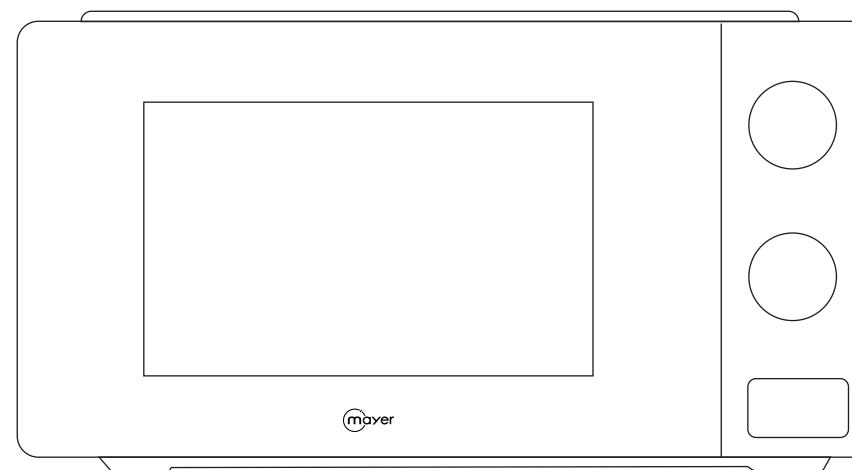
Mon - Fri: 9:00am to 5:00pm

Sat: 9:00am to 12:00pm

Closed on Sunday & Public Holidays

71 Ubi Crescent, #06-02, Excalibur Centre, Singapore 408571.

For more information on warranty policy, please visit:
<https://mayer.sg/pages/warranty-return-and-exchange-policy>



MICROWAVE OVEN

Please read this instruction manual thoroughly
before operating and keep it for future reference

IMPORTANT SAFETY INSTRUCTIONS

WARNING: If the door or door seals are damaged, the oven must not be operated until it has been repaired by a trained person.

WARNING: It is hazardous for anyone other than a trained person to carry out any service or repair operation, which involves the removal of any cover, which gives protection against exposure to microwave energy. **WARNING:** Liquids or other food must not be heated in sealed containers since they are liable to explode.

- Only use utensils that are suitable for use in microwave ovens.
- Metallic containers for food and beverages are not allowed during microwave cooking.
- When heating food in plastic or paper containers, keep an eye on the oven due to the possibility of ignition.
- The microwave oven is intended for heating food and beverages. Drying of food or clothing and heating of warming pads, slippers, sponges, damp cloth and similar may lead to risk of injury, ignition or fire.
- If smoke is observed, switch off or unplug the appliance and keep the door closed in order to stifle any flames microwave heating of beverages can result in delayed eruptive boiling, therefore care has to be taken when handling the container.
- The contents of feeding bottles and baby food jars are to be stirred or shaken and the temperature is to be checked before consumption, in order to avoid burns.
- Eggs in their shell and whole hard boiled eggs shall not be heated in microwave ovens since they may explode, even after microwave heating has ended.
- Failure to maintain the oven in a clean condition could lead to deterioration of the surface that could adversely affect the life of the appliance and possibly result in a hazardous situation.
- The appliance must not be placed in a cabinet.
- Care should be taken not to displace the turntable when removing containers from the appliance.
- The appliance shall not be cleaned with a steam cleaner.

Warning: When the appliance is operated in the combination mode, children should only use the oven under adult supervision due to the temperatures generated.



Warning: High surface temperature!

- If the supply cord is damaged, it must be replaced by the manufacturer or its service agent or a similarly qualified person in order to avoid a hazard.
- This appliance can be used by children aged from 8 years and above and persons with reduced physical, sensory or mental capabilities or lack of experience and knowledge if they have been given supervision or instruction concerning use of the appliance in a safe way and understand the hazards involved.

TROUBLESHOOTING

Servicing

Please check the following before calling for services.

- Place one cup of water (approx.150ml) in a glass measure in the oven and close the door securely. Oven lamp should go off if the door is closed properly. Let the oven work for 1 min.
- Does the oven lamp light?
- Does the cooling fan work?
(Put your hand over the rear ventilation openings.)
- Does the turntable rotate?
(The turntable can rotate clockwise or counter clockwise. This is quite normal.)
- Is the water inside the oven hot?

If "NO" is the answer to any of the above questions, please check your wall socket and the fuse in your meter box.

If both the wall socket and the fuse are functioning properly, CONTACT YOUR NEAREST SERVICE CENTER APPROVED.

SERVICING SAFEGUARDS

Caution: MICROWAVE RADIATION

- The high voltage capacitor remains charge after disconnection; short the negative terminal of H. V capacitor to the oven chassis (use a screwdriver) to discharge before touching.
- During servicing below listed parts are liable to be removed and give access to potentials above 250V to earth.
 - Magnetron
 - High voltage transformer
 - High voltage capacitor
 - High voltage diode
 - High voltage fuse

The actual configuration in order to prevail in kind.

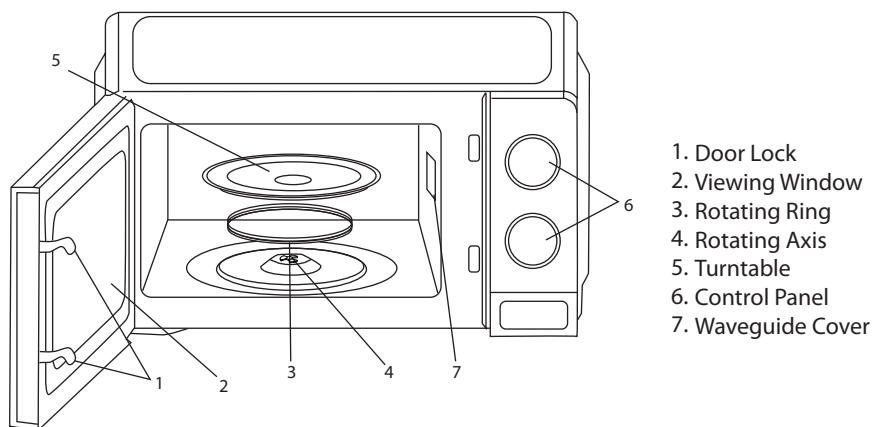
- The following conditions may cause undue microwave exposure during servicing.
 - Improper fitting of magnetron;
 - Improper matching of door interlock, door hinge and door;
 - Improper fitting of switch support;
 - Door, door seal or enclosure has been damaged.

- Children shall not play with the appliance.
- Cleaning and user maintenance shall not be made by children without supervision.
- Do not directly put cold water into the glass plate after use. It needs to place the glass plate for at least 20 minutes, and then put it into the water to avoid cracking.
- Group 2 Class B appliance
Group 2 ISM equipment: group 2 contains all ISM equipment in which radio-frequency energy is intentionally generated and/or used in the form of electromagnetic radiation for the treatment of material, and EDM and arc welding equipment.
Class B equipment is equipment suitable for use in domestic establishments and in establishments directly connected to a low voltage power supply network which supplies buildings used for domestic purposes.
- "To be in compliance EN 61000-3-11, the product shall be connected only to a supply of the system impedance: $|Z_{sys}| = 0.40089$ ohms or less. Before connect the product to public power network, please consult your local power supply authority to ensure the power network meet above requirement."

PRODUCT TECHNICAL PARAMETERS

MODEL	RATED VOLTAGE	RATED POWER	MICROWAVE OUTPUT	GROSS CAPACITY
MMMW3020	220V-240V, 50Hz	1100W	700W, 2450MHz	20L

INTRODUCTION OF PARTS



Door Lock	Microwave oven door must be properly closed in order for it to operate
Viewing Window	Allow user to see the cooking status
Rotating Ring	The glass turntable sits on its wheels; it supports the turntable and helps it to balance when rotating
Rotating Axis	The glass turntable sits on the axis; the motor underneath it drives the turntable to rotate
Turntable	The food sits on the turntable, its rotation during operation helps to cook food evenly
Control Panel	See below in details (the control panel is subject to change without prior notice) - Place the rotating ring first - Fit the turntable onto the rotating axis and make sure that it is geared in properly
Waveguide Cover	It is inside the microwave oven, next to the wall of control panel. Never remove the waveguide cover

CLEANING AND MAINTENANCE

Microwave oven care

The oven should be cleaned regularly and any food deposits removed.

- Remove the power cord from the wall outlet before cleaning. After cooling products. Don't immerse the appliance in water or other fluids when cleaning.
- Failure to maintain the oven in a clean condition could lead to deterioration of the surface that could adversely affect the life of the appliance and possibly result in a hazardous situation.
- Never use hard detergent, gasoline, abrasive powder or metal brush to clean any part of the appliance.
- Do not remove the waveguide cover.
- When the microwave oven has been used for a long time, there may be some strange odors exist in oven, following 3 methods can get rid of them:
- Place several lemon slices in a cup, then heat with high micro power for 2-3 min.
- Place a cup of red tea in oven, then heat with high micro power.
- Put some orange peel into oven, and then heat them with high micro power for 1 minute.
- When the product is not used, it should be placed in dry and ventilated areas as well as possible.

Details how to clean surfaces in contact with food:

After use wipe the waveguide cover with a damp cloth, followed by dry cloth to remove any food splashes and grease. Built-up grease may overheat and begin to cause smoke or catch fire.

Tips for cleaning

Details for cleaning door seals, cavity and adjacent parts:

Exterior:

- Wipe the enclosure with a dampened soft cloth

Door:

- Using a dampened soft cloth, wipe clean the door and window
- Wipe the door seals and adjacent parts to remove any spill or spatter
- Wipe the control panel with a slightly dampened soft cloth

Interior walls:

- Wipe clean the interior surfaces with a dampened soft cloth
- Wipe clean the waveguide cover to remove any food splashed

Turntable / Rotation ring / Rotation axis:

- Wash with mild soap water
- Rinse with clean water and allow drying thoroughly

Allow standing time

- After cooking times out, leave the food in the oven for an adequate length of time, this allows it to complete its cooking cycle and cooling it down in a gradual manner

Whether the food is done

Color and hardness of food help to determine if it is done, these include:

- Steam coming out from all parts of food, not just the edge
- Joints of poultry can be moved easily
- Pork or poultry shows no signs of blood
- Fish is opaque and can be sliced easily with a fork

Browning dish

- When using a browning dish or self-heating container, always place a heat-resistant insulator such as a porcelain plate under it to prevent damage to the turntable and rotating ring.

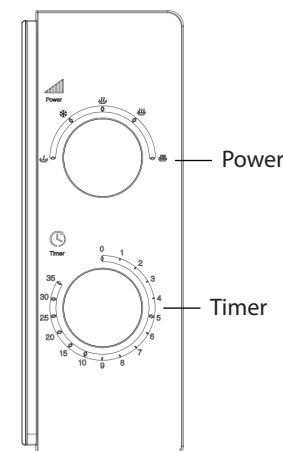
Microwave safe plastic wrap

- When cooking food with high fat content, do not allow the plastic wrap come into contact with food as it may melt

Microwave safe plastic cookware

- Some microwave safe plastic cookware might not be suitable for cooking foods with high fat and sugar content. Also, the preheating time specified in the dish instruction manual must not be exceeded.

Control Panel



Clock setting

The maximum setting is 35 minutes, there is a ringtone at the end, and the knob returns to the "0" position.

Microwave function

No.	Microwave Power	Microwave Output Ratio
1	Low	About 17% power output
2	Defrost/M.Low	About 30% power output
3	Med	About 55% power output
4	M.High	About 80% power output
5	High	100% power output

Below is some food defrosting time advice:

No.	Weight (g)	Defrost Time
1	200g	About 4 minutes
2	400g	About 8 minutes
3	600g	About 12 minutes

CONTROLS AND OPERATIONS

1. Connect the cord
 - Before connecting the cord, make sure the timer is set to "0" position.
 - Do not block the ventilation.
2. Place the food on the glass turntable tray and close the door
 - Food must be contained in a utensil.
 - Do not operate the microwave oven without load, otherwise it will cause damage to the microwave oven.
3. Select the desired microwave power level.
4. The microwave oven starts running. If pausing in midway is needed, just open the door at any time, and close it to resume operation.
5. When it times out and cooking ends, the microwave oven produces a bell ring, the inside lamp will also be automatically turned off.
If food is removed before time out, make sure to set back the timer to "0" position, this avoids the microwave oven from operating in empty load.
6. It is recommended to wear gloves when removing the cooked food from oven and be careful do not touch the inner wall of cavity.

Heating food fast, generally only 2 to 3 minutes, please control in 5 minutes. Please pay attention to the cooking condition of the food at any time and adjust it according to your taste preference. Avoid overheating. When heating porridge, congee, should first stir evenly, and then covered with plastic film (leave corners for ventilation) or with a perforated lid heating. At mid-point to defrosting time, please open the door to turn the food, so that the defrosting effect is more uniform.

Utensils guideline

Depending on the cooking method, it is necessary to choose a safe and suitable vessel. If it is not properly selected, it will not only affect the cooking effect, but also cause damage to the vessel or microwave oven. Please refer to the table below for use:

Material	Microwave	Notes
Heat-resistant ceramic	Yes	Never use the ceramics which are decorated with metal rim or glazed. Recommend using ceramics, high-temperature resistant glass, and plastic containers that can withstand temperatures above 120°C.
Heat-resistant plastic	Yes	Cannot be used for long time microwave cooking
Heat-resistant glass	Yes	
Grill rack	No	
Plastic film	Yes	It should not be used when cooking meat or chops as the over-temperature may do damage to the film

Cooking tips

The following factors may affect the cooking result:

Food arrangement

- Place thicker areas towards outside of dish, the thinner part towards the centre and spread it evenly. Do not overlap if possible.

Cooking time length

- Start cooking with a short time setting, evaluate it after it times out and extend it according to the actual need. Over cooking may result in smoke and burns.

Cooking food evenly

- Food such as chicken, hamburger or steak should be turned once during cooking. Depending on the type of food, if applicable, stir it from outside to centre of dish once or twice during cooking