

mayer

Our after sales team is here for you if you require any appliance servicing.

When contacting us, please provide the product number and product serial number so we are able to provide you with the correct advice and assistance.

The rating plate with these numbers can be found inside the appliance - simply remove the grease filter to gain access.

Please note that a visit by an after-sales provider may be chargeable if a product turns out to be a result of operator or installer error even during warranty period.

MMSH8099-L

COOKERHOOD

USER MANUAL

INSTALLATION INSTRUCTION

To avoid the risk of accidents or damage to the appliance, it is essential to read these instructions before it is installed or used for the first time.

Warranty & customer service

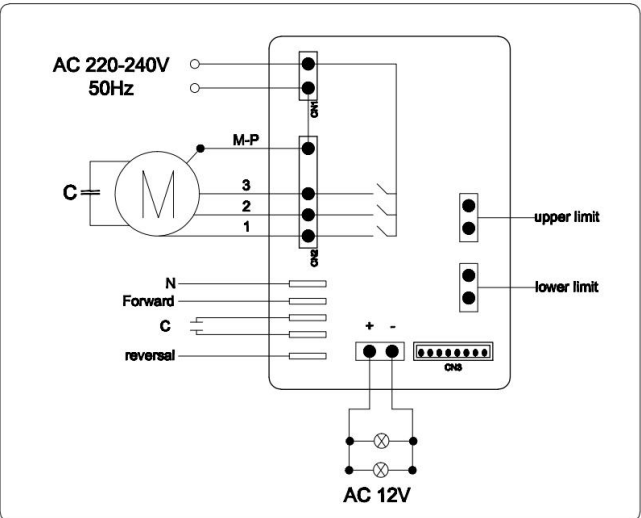


e-Warranty Registration at
<https://mayercare.biz/eWarranty>
Customer Service Hotline: 6542-8383
[Mon, Wed & Fri: 9:00am to 6:00pm]
[Tue & Thurs: 9:00am to 8:00pm]
[Sat: 9:00am to 3pm]
Closed: Sunday & Public Holidays
71 Ubi Crescent, #06-02, Excalibur Centre, Singapore 408571

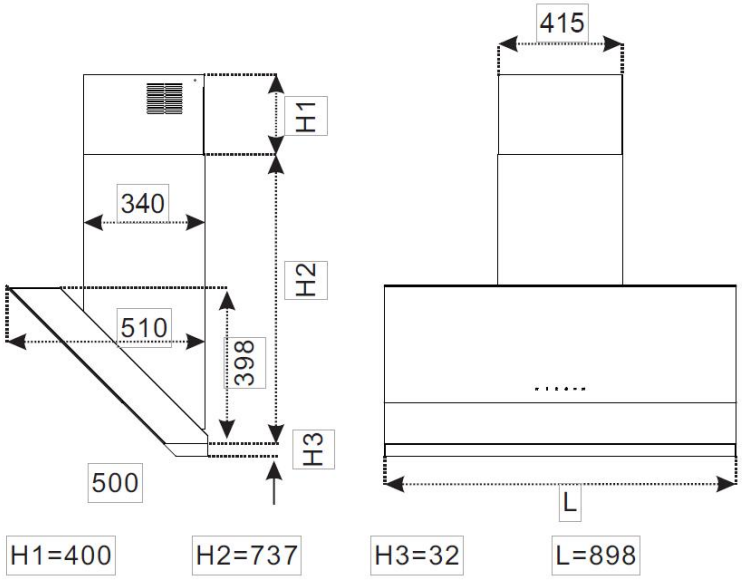
Download Mayer App via



■ Schematic Diagram



■ Dimension drawing



■ Troubleshooting

Symptoms	Possible Cause	Action
Does not function	No electrical supply	Check that the plug is connected.
		Check that the main switch is turned on.
Poor airflow	Aluminium grease filters clogged	Clean the filters and replace when dry
	Charcoal grease filters clogged	Replace charcoal filters with new sets
Motor running but no airflow	Butterfly valve jammed	Contact technician
Motor cuts after a few minutes	High temperature safety device activated	The kitchen is not sufficiently ventilated
	the hood is installed too near the cooking stove	The hood must be at least 65cm from stove
Strong cooking smell	Charcoal filters not installed/ are not operating optimally	In re-circulation mode, charcoal filters must be installed. Otherwise, if charcoal filter is clogged, replace the charcoal filter
Oil dripping onto stove	Aluminium grease filter saturated	Wash the aluminium grease filters
Whirring sound	Foreign object in contact with fan blade	Contact technician

■ Table of Contents

● From the Manufacturer	1
● Specifications	1
● SAFETY: Read this First!	2
● Vent System Requirements	3
● Description of Parts	4
● Re-circulating Mode	5
● Installation	6
● Electrical Connection	10
● Operation	11
● Auto Linkage System	12
● Cleaning & Maintenance	14
● Troubleshooting	15
● Schematic Diagram	16
● Dimension Drawing	16

■ From the Manufacturer

- This appliance and its packaging are produced by processes that minimize waste and respect the environment.
- Please help us to continue the protection of the environment by disposing of the packaging in a correct manner.

Safety !

- Please do not allow young children to play with the plastic bag packaging.
- Before disposing of any old appliances, be sure to cut off the power cord so that others will not be endangered by a defective electric appliance

■ Specifications

Input : AC 220-240V 50Hz

Absorbtion

- Motor : 1 × 200W
- LED Light : 2 × 1.5W

Total Power : 203W

Carton Dimensions : 1010×680×480mm

■ Cleaning & Maintenance

SURFACES:

Wash with warm soapy water and a soft sponge. Never use abrasive detergent, scouring pads, steel wool or solvents on any part of this appliance as this will cause irreparable damage.

OIL CUP

The rectifier oil cup should be cleaned regularly, e.g. once a month. Always use both hands to carefully hold on to the parts upon removing to prevent oil dripping out.

Wash with warm or hot soapy water and a soft sponge. Avoid using abrasive detergent and scouring pads as these will cause scratch on the stainless steel finishing.

CHARCOAL FILTERS (only in re-circulating model) : Charcoal cannot be reused. They must be replaced with the appropriate types once a year or depending on the frequency of appliance usage.

For this appliance to function effectively, regular maintenance is a must. Clogged filters restrict airflow and may cause the motor to overheat.

LED LIGHT REPLACEMENT: Before attempting to replace the light bulb, make sure that the light switch is turned off. Remove the grease filter to access the lamp area. Remove the damaged LED light and replace with an LED light maximum 1.5 W.

- For linking to a compatible induction or gas hob, the hood will automatically operate at one power level below the maximum power level of the hood (e.g. if the hood has 4 power levels, the hood will operate at power level 3 etc.) upon startup of the hob, regardless of the programmed power level of the hob. However, users are able to manually programme their preferred hood power level after startup of the hood.
- For linking to a compatible vitroceramic hob, the hood will automatically adjust its power level to the programmed power settings of the hob in accordance with the chart below:
- Hoods for which maximum power level is “4”

Vitroceramic Hob Power Setting	Linked Hood Matching Power Level
U、 1、 2	1
3、 4、 5	2
6、 7、 8	3
9、 A	4

- Hoods for which maximum power level is “3”

Vitroceramic Hob Power Setting	Linked Hood Matching Power Level
U、 1、 2	1
3、 4、 5	2
6、 7、 8、 9、 A	3

- Please note that once the hood is linked to a vitroceramic hobs, users will be unable to manually programme the power levels of the hood. However, users may still adjust the lights of the hood. For induction and gas hob, users will still be able to manually programme the power levels of the hood even when linked.
- All linked hoods will automatically power off all functions 35 seconds after the hob has been switched off to ensure optimal removal of odours and grease in the kitchen.

■ SAFETY: Read this First!

- Check the appliance for damage before and after unpacking it.
- Do not connect the appliance if it has been damaged.
- Read this user manual thoroughly before attempting to use this appliance.
- This appliance may be used safely if it is correctly installed according to the provided safety instruction by a qualified installer. The installer is responsible for ensuring that the appliance works correctly at its installation location. Mayer Marketing Pte Ltd is not liable for damage caused by incorrect installation or connection, and such damages are not covered under warranty.
- It is dangerous to modify any part of this appliance.
- Mayer Marketing Pte Ltd is not liable for damages in case of failure to adopt proper safety measures.
- Ensure the location in which this appliance is installed is well ventilated.
- This appliance should not be used to ventilate a room.
- The distance between the bench top to the lower part of the hood is recommended to be between 650mm – 750mm.
- Use an electrical connector with earth that is suitable for your location.
- Check that the voltage in your location is suitable for supply to this product.
- The electrical connection of this appliances must be connected to earth.

Green & Yellow = EARTH

Blue = NEUTRAL

Brown = LIVE

- Multiple plugs and extension cables should not be used in conjunction at a time. Overload is dangerous and may cause a fire.
- Ensure that the power supply cord is away from any heat source or sharp objects.

- The product should be switched off and the electrical supply disconnected before any cleaning or maintenance work is carried out, or if the appliance is unused for extended periods.
- Remove all plastic covers or wrappings on the product and its attachments (e.g. charcoal filters) before use.
- This product is intended for domestic use and the household environment only. The product is not intended for use outside or in a commercial setting.
- Do not leave the product unattended during operation. Mayer Marketing Pte Ltd is not liable for damage caused by improper use or incorrect operation.

■ Vent System

Determine which venting method is best for your application. Vented (non-recirculating) system terminate on the outside. Ductwork may be extended either through the wall or the roof. Do not terminate the vent system in an attic or other enclosed area.

Cleaning & Maintenance

SURFACES : Wash with warm soapy water and a soft sponge. Never use harsh or abrasive cleaning agents, clean agents with high alcohol content, hard scouring pads or cleaning sponges or high-pressure cleaners or steam cleaners on any part of this appliance as this will cause irreparable damage.

The length of the ductwork and the number of elbows should be kept to a minimum to optimise performance. The size of the ductwork should be uniform. Do not install two elbows together. Ensure all joints in the ductwork system are sealed well. Use caulking to seal exterior wall or floor opening around the cap.

■ Auto Linkage system



Set-up the hood and hob linkage via the ON/OFF button on your hood.

- The hood is factory set to non-linked mode.
- If the hood and hob are not linked, operate the hood manually.
- After connecting to AC220-240V power supply, press and hold the “ON/OFF” button for 3 seconds. When the hood “beeps” three times, the linkage mode is activated (if the hood only “beeps” once, the activation of the linkage mode was unsuccessful. Please try pressing and holding down the “ON/OFF” button for 3 seconds again).
- Upon setting the hood in linkage mode, re-connect to AC220-240V and switch on the linkage compatible hob and activate a cooking zone of the hob within 8 seconds. Only 1 cooking zone needs to be switched on to initiate linking to the hood. Ensure that the zone’s power level is of at least level 1. For induction zones, ensure that an induction compatible pot is placed on the induction zone. If the connection is successful, you will hear five “beep”s. If it is not heard, it means that the connection was unsuccessful. Please switch off the main power of the hood, and try again.
- The hood may only be linked to one hob at a time. To re-link the hood to a new hob, simply install the new hob and undertake the steps outlined above.
- Upon successful linking, the hood and its light(s), decorative light (if have) will be automatically switched on when the linked hob is switched on. In the event that a linked gas hob fails to ignite and operate, the hood will automatically cease operations after 35 seconds. Please note that the timer function is non-operational in linked hoods. To employ the timer function, please operate the hood on non-linked mode.

■ Operation



ON mode

ON/OFF Speed Up Down Light Timer



OFF mode

The hood is equipped with electronic touch control that is located on the front edge of the range hood canopy.

OFF mode No symbol appears on the panel. The grey color circle line is on the left side of the panel.

ON mode Press and hold the grey circle line for 2 seconds, the control panel symbols will light up.

UP & DOWN symbols

Select power level of hood by tapping the '+' and '-' symbols. The extractor motor will operate between power levels 0 to 3.

1 Low speed 2 Medium speed 3 High speed 0 Off

Light symbol

To switch ON the light, tap the 'light bulb' symbol, the light bulb will switch on and the symbol light will turn red.

Delay timer

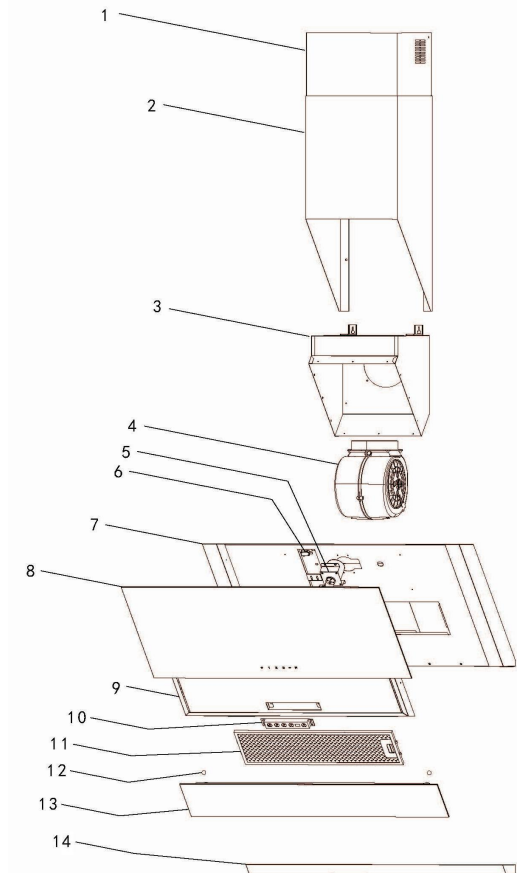
Tap the delay timer symbol to activate the delay timer. The cooker hood will operate for 15 minutes and then switch off automatically. The symbol light will turn red when activated.

Flexible ductwork is not recommended. Flexible ductwork creates back pressure and air turbulence that greatly reduces performance.

Make sure there is proper clearance within the wall or floor for exhaust duct before making cutouts. Do not cut a joist or stud unless absolutely necessary. If a joist or stud must be cut, a supporting frame must be constructed.

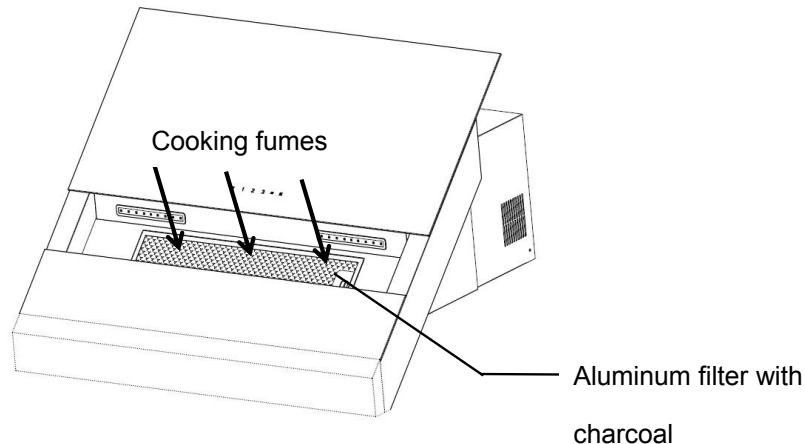
■ Description of Parts

1. Upper chimney
2. Bottom chimney
3. Motor box
4. Motor
5. Electrical machinery
6. Limiting switch
7. Body
8. Upper glass
9. Upper glass support
10. Switch assembly
11. Filter with charcoal
12. Magnet
13. Bottom glass assembly
14. Oil tray



■ RE-CIRCULATING MODE

- Air is drawn into the hood and cleaned by the grease filters and charcoal filters before being reintroduced back into the kitchen.



Note: A charcoal filter is necessary to operate your hood in recirculating mode. The charcoal filter is non-washable and may be replaced by contacting the dealer. Contact information is found at the end of the instructions for use.

■ Electrical Connection

Before completing any connection, make sure the house voltage corresponds with the voltage indicated on the label affixed inside the hood.

Only a licensed professional may connect and install appliances. Damage caused by improper installation is not covered under warranty.

● **Appliance fitted with plug**

Connect it to a socket which conforms to current regulations. If you intend to connect it directly to the electric mains, remove the plug and fit an approved bipolar switch with a minimum contact opening of not less than 3mm.

If the plug is not accessible once it has been inserted in the socket, it will however be necessary to fit an approved bipolar switch with a minimum contact opening of no less than 3mm.

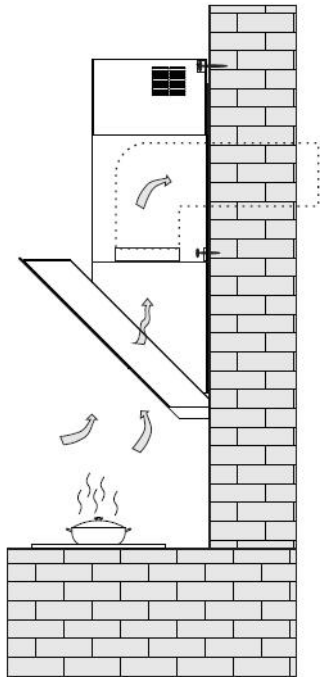
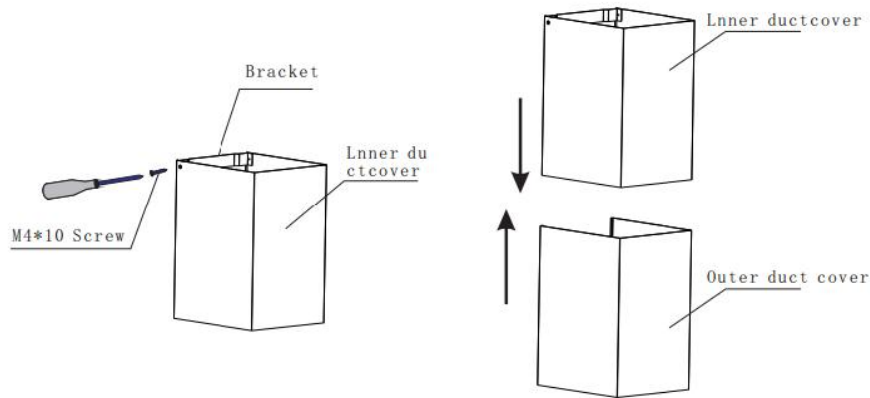
● **Appliance without plug**

Fit an approved plug or an bi-polar switch with a minimum contact opening of no less than 3mm.

Direct connection installations must be handled by licensed professionals.

Mayer Marketing Pte Ltd is not liable for damages caused by improper handling and installation of the appliance.

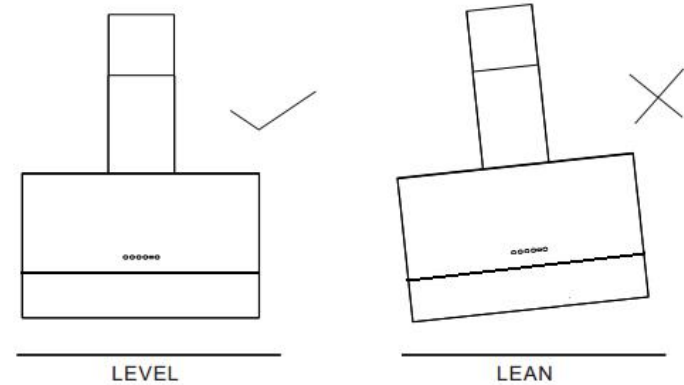
3.install the chimney



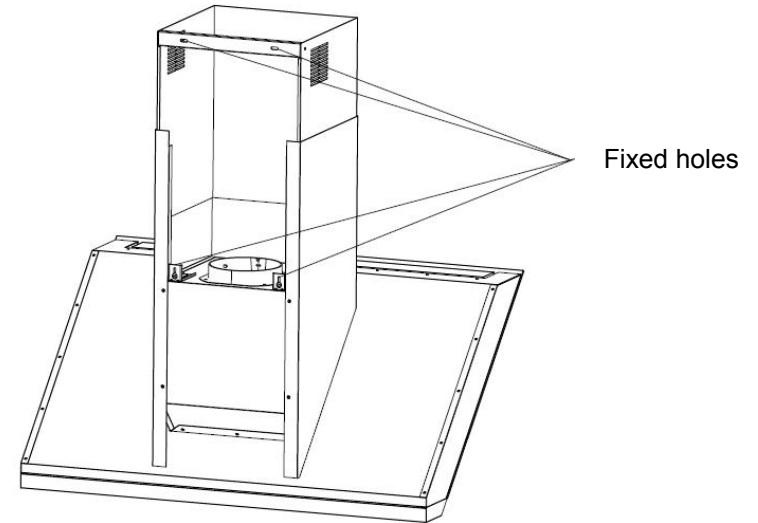
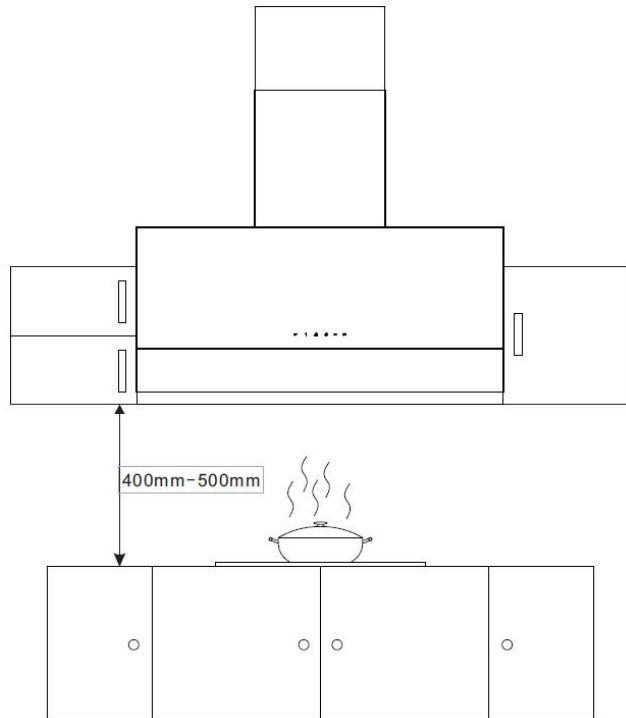
■ Installation

Safety precautions

- Do not install the cooker hood where there are many doors or windows in order to avoid affecting the exhaust efficiency of the hood caused by air convection.
- Install the cooker hood right above the hob. The recommended distance between the hob and the lower edge of the cooker hood is minimum 400mm and maximum 500mm.
- In order to get the optimum performance, do not elongate the exhaust pipe too long, and try to make the bend of exhaust pipe less and biggest, ensure the connection is airtight.
- After hanging the unit on the wall, ensure the hood is level and vertical.
- The air outlet must not be connected to chimney flues or combustion gas ducts. The air outlet must under no circumstances be connected to ventilation ducts for room in which fuel-burning appliances are installed.



1. Installation Height of cooker hood



2. Position of fixed holes

According to the size of the holes.

Drill 2 holes in level in the wall with 8mm in diameter and 75-85mm in depth. Press the 2 expanding tube provided into the holes. Tighten the 2 metal screws of 5x50mm which is supplied together with the hood to the expanding tube, make sure it is secure.

