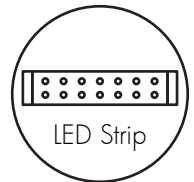
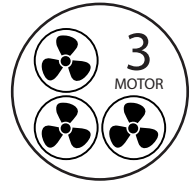




mayer



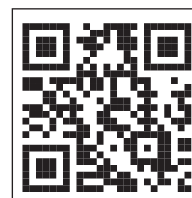
*Also available in Black (MMSI900LEDHS-BK)



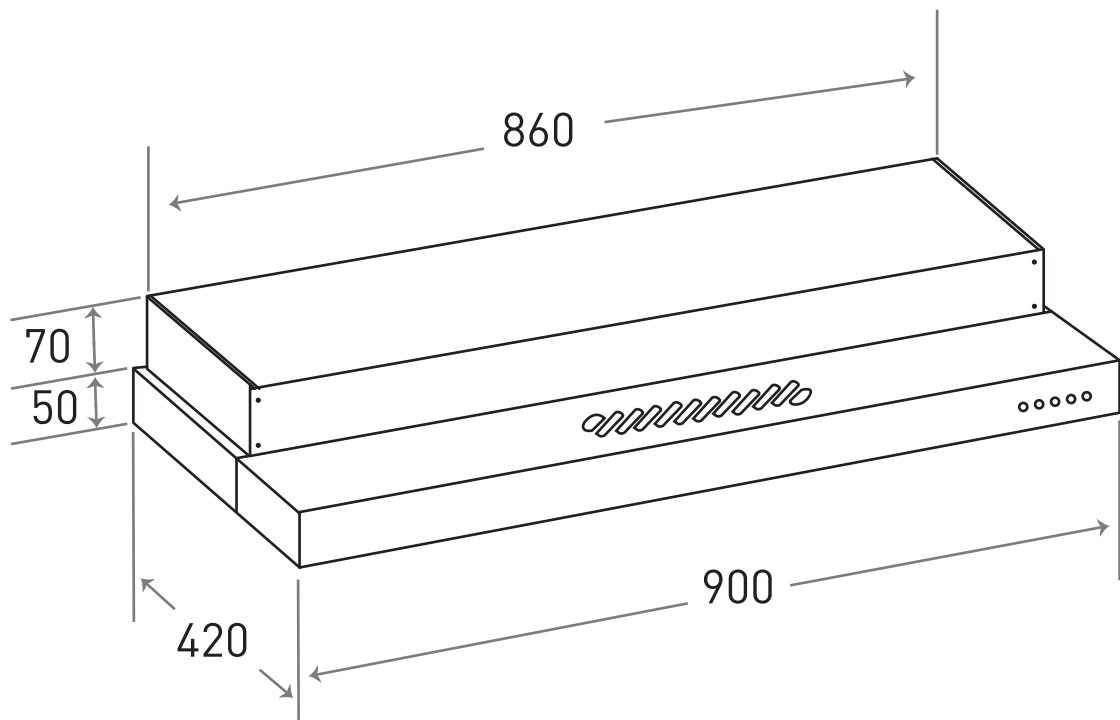
90cm Semi Integrated Hood

MMSI900LEDHS-SS

- 3x Aluminium Grease Filter
- High Grade Stainless Steel
- Wider Suction Coverage
- 3 Speed Mechanical Control
- 1x LED Strip
- 3x Charcoal Filter
- Re-Circulating Mode Only
- 3 x Motor
- Push Button



e-Warranty registration
www.mayer.sg



90cm Semi Integrated Hood

Model	MMSI900LEDHS-SS
Extraction Capacity	825m ³ /hr
Voltage	230V/50Hz
Wattage	262W
Motor	3 X 85W
LED Power	7W
Noise Level	59 db(A)
Electrical Cord Length	100 cm
Plug Type	No Plug
Product Dimension	L900*W420*H120 mm
Net Weight	12.5 KGS
Gross Weight	14 KGS