



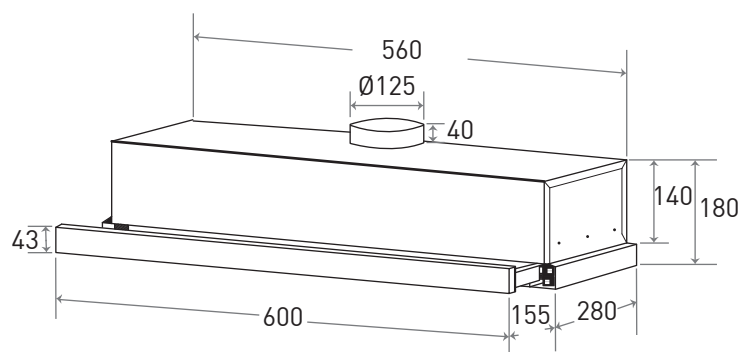
# mayer



## Telescopic Hood

MMTH60

- 60cm Telescopic Hood
- 2 Speed Button Control
- Aluminium Grease Filter
- High Grade Stainless Steel Front Panel with Black Acrylic
- Grey Powder Coating Chassis
- 1 x 125W motor
- 2 x 40W lamp
- Charcoal Filter
- Re-Circulating Mode Only



Dimensions WxDxH (mm)	600 x 280 x 180
Extraction Capacity	550m <sup>3</sup> /hr
Noise Level	<59dB(A)



Barcode  
9557496131622

e-Warranty registration  
<https://www.mayer.sg/>