



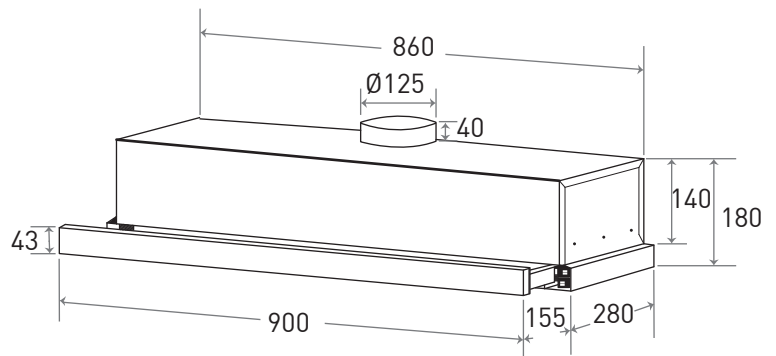
mayer



Telescopic Hood

MMTH90

- 90cm Telescopic Hood
- Charcoal Filter
- 2 Speed Button Control
- Aluminium Grease Filter
- High Grade Stainless Steel Front Panel with Black Acrylic
- Grey Powder Coating Chassis
- 1 x 125W motor
- 2 x 40W lamp
- Re-Circulating Mode Only



Dimensions WxDxH (mm)	900 x 280 x 180
Extraction Capacity	550m ³ /hr
Noise Level	<59dB(A)



Barcode
9557496131639

e-Warranty registration
<https://www.mayer.sg/>