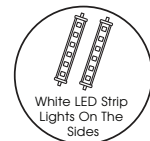
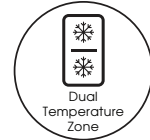
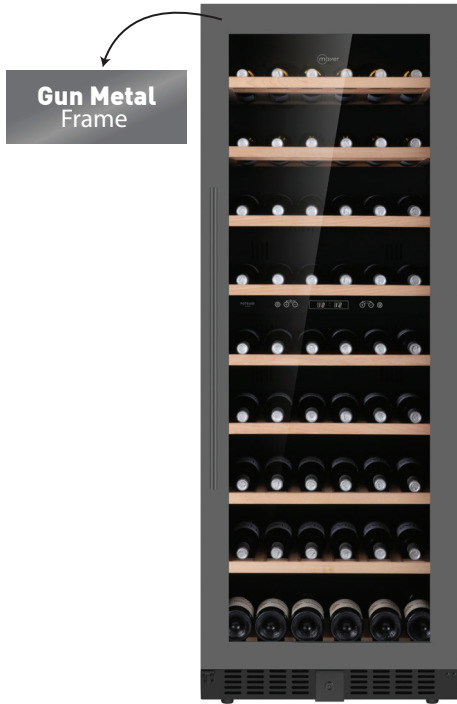


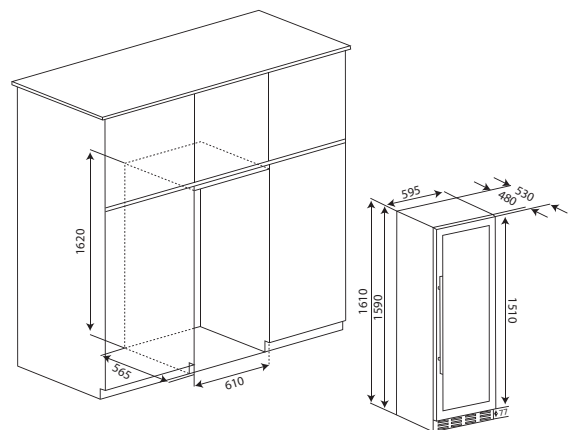
**ROTGUSS**  
series



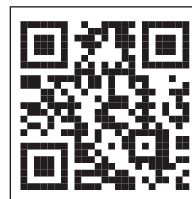
# 94 Bottles Wine Chiller

## MMWC94GM

- 2-layered heated glass door
- Dual zone with temperature between 5 - 20°C
- 8 telescopic beech wooden shelves
- Touch buttons with LCD temperature display
- White LED interior strip lights
- Adjustable feet
- Charcoal filtration system to maintain an odour-free cabinet
- Built-in lock
- Freestanding and Built-in (Fully recessed) installation



Model	MMWC94GM
Gross Capacity	275L
Product Dimension	L595*W530*H1610 mm
Packaging Dimension	L650*W620*H1810 mm
Net Weight	84 KGS
Gross Weight	97 KGS



e-Warranty registration  
[www.mayer.sg](http://www.mayer.sg)