

# mayer

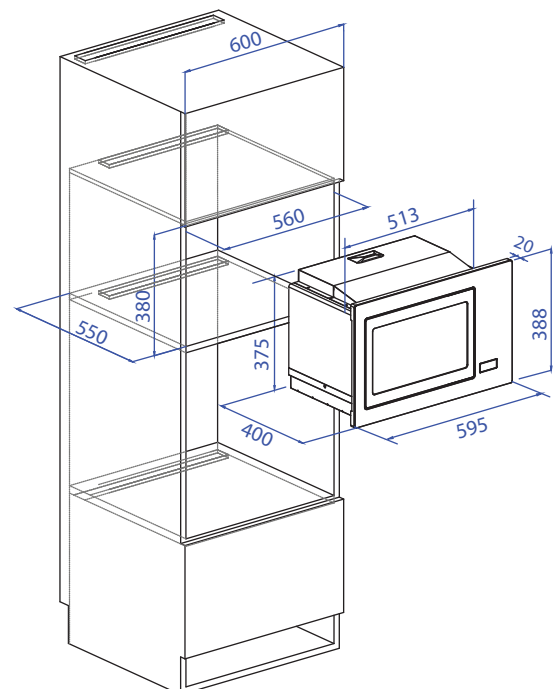


## MICROWAVE

MMWG25B

- 2 in 1 Microwave + Grill
- Top and bottom stainless steel decoration
- Touch digital control panel
- Cooking end signal
- Defrost by weight or time
- Child safety lock
- 8 auto menus

Product Dimensions LxWxH (mm)	595 x 400 x 388
Cut Out Dimensions LxWxH (mm)	560 x 550 x 380
Rated Voltage	230V ~ 50Hz
Rated Input Power (Microwave)	1450W
Rated Output Power (Microwave)	900W
Rated Input Power (Grill)	1000W
Oven Capacity	25L
Turntable Diameter	Ø315mm
Net Weight	Approx. 18.6 Kg



Barcode  
9557496680229



e-Warranty registration  
<https://www.mayer.sg/>