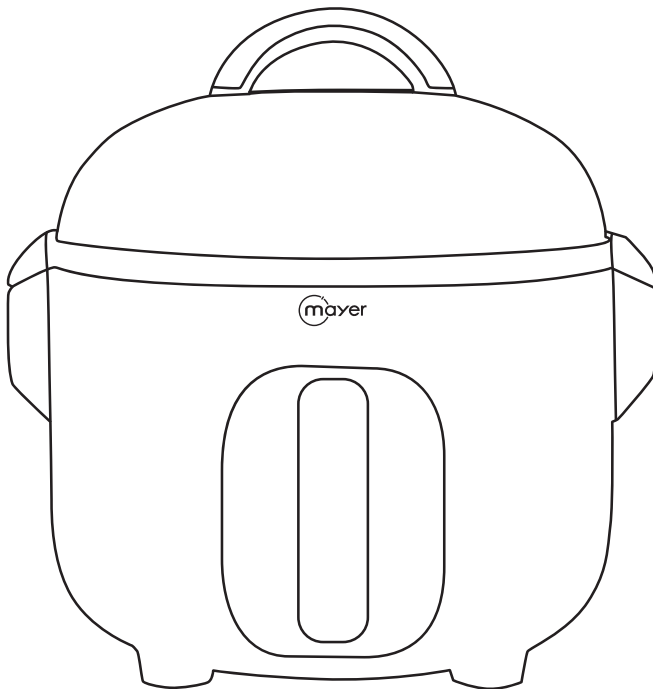




Double Boiler

MMDB700



PERSONAL DOUBLE BOILER

Please read this instruction manual thoroughly before operating and keep it for future reference

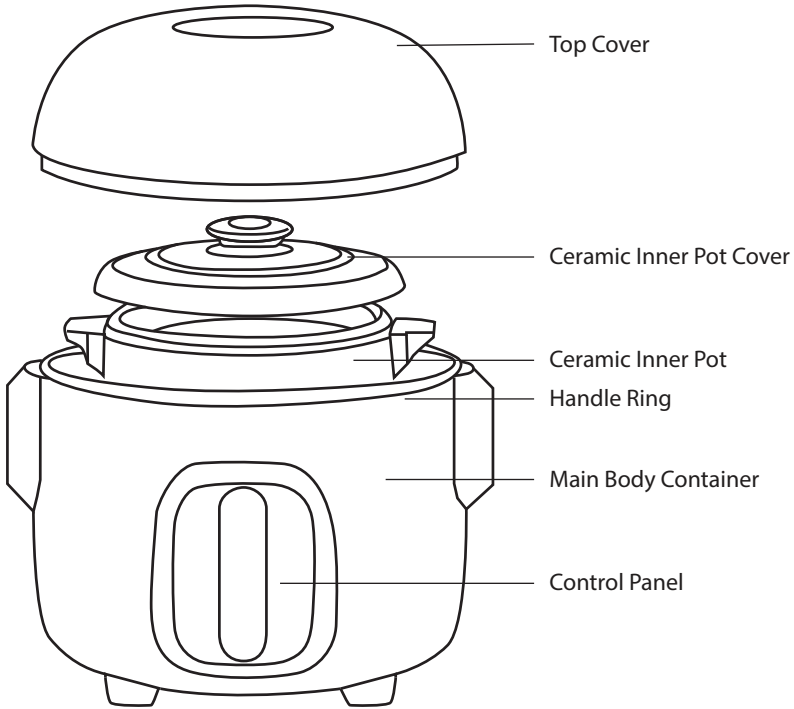
IMPORTANT SAFETY INSTRUCTIONS

- This appliance is not intended for use by persons (including children) with reduced physical, sensory or mental capabilities, or lack of experience and knowledge unless they have been given supervision or instruction concerning the use of the appliance by a person responsible for their safety.
- Children should be supervised to ensure that they do not play with the appliance.
- Do not operate any appliance with a damaged cord or plug or after the appliance malfunctions, or has been dropped or damaged in any manner. If the power cord is damaged, it must be replaced by the Service Centre to avoid a hazard.
- When using electrical appliances, basic safety precautions should always be followed to reduce the risk of fire, electric shock, and/or injury.
- Do not immerse appliance, cord or plug in water or other liquid.
- Unplug from the outlet when not in use and before cleaning.
- Do not unplug the appliance by pulling on the cord.
- Use the accessories from the appliance only, as other accessories not from the appliance may cause fire, electric shock or injury.
- Use a power source with qualified grounding protection to ensure personal safety.
- The appliance should be placed on a flat and stable platform.
- Do not move the appliance when it is powered on.
- Do not use the appliance near or on the surface of inflammable or explosive objects; do not use it in an environment where it is damp or close to other heat sources, in order to avoid failure and danger.
- Steam will come out when the appliance when it is working.
- Do not put your face or hands near the steam vent to avoid scalding.
- Do not place objects that are vulnerable to steam above this appliance.
- Do not cover the steam vent with a cloth or similar items to avoid accidents or malfunctions.
- When using this appliance, adjust the water amount according to the food; if the food amount or water amount is too big, the food or soup will spill over and cause a potential safety hazard.
- Do not hang the power cord on the side of the table.
- If the appliance is not used for a long period of time, unplug the power cord and clean it.
- In case of dry burning due to water shortage, please unplug the power supply immediately and wait for appliance to cooldown before operating again.
- Do not knock this appliance hard to avoid damage and accidents.
- Ensure that the surface heating plate and bottom of the pot is clean before use.
- The pot can be cleaned with mild detergent in warm water.
- The glass cover is fragile, please prevent it from any collision with hard objects and falling from a high place, so as to avoid if from being broken and damaged.

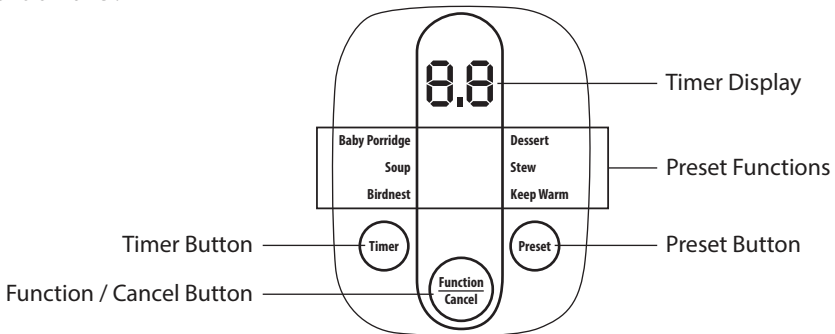
PRODUCT TECHNICAL PARAMETERS

MODEL	RATED VOLTAGE	RATED POWER	GROSS CAPACITY
MMDB700	220-240V, 50Hz	150W	0.7L

INTRODUCTION OF PARTS



Control Panel:



CONTROLS AND OPERATIONS

Turn on the main power and the appliance will be in standby mode. The display screen will be shown as follows: "0.0".

Preset Button

- In standby mode, select the "Preset" function.
- The indicator light for Preset will turn on, with the display screen showing "2.0", which is the default preset time of 2 hours, while flashing continuously.
- Press the preset button again while it is still flashing to adjust your preset time.
- The preset time increases by 0.5 (30 minutes) every one time when the button is pressed.
- The maximum preset time is 9.5 hours.
- After 9.5, the screen will display 0.0 if you press the preset button again and the cycle will repeat. To increase the time faster, you may press and hold the button.
- After adjusting the preset time, press the Function/Cancel button to choose your cooking function.

Note: Preset time selected does not include cooking time. For example, if preset time is 2.0, the appliance will only start cooking 2.0 hours later.

Function/Cancel Button

- Select Function/Cancel to choose your cooking function.
- The indicator light will turn on to show the cooking function selected.
- To cancel the function before cooking, press the button until it goes to standby mode (after keep warm function). If you want to cancel the function after cooking has started, press the Function/Cancel button one time and the appliance will go back to standby mode.

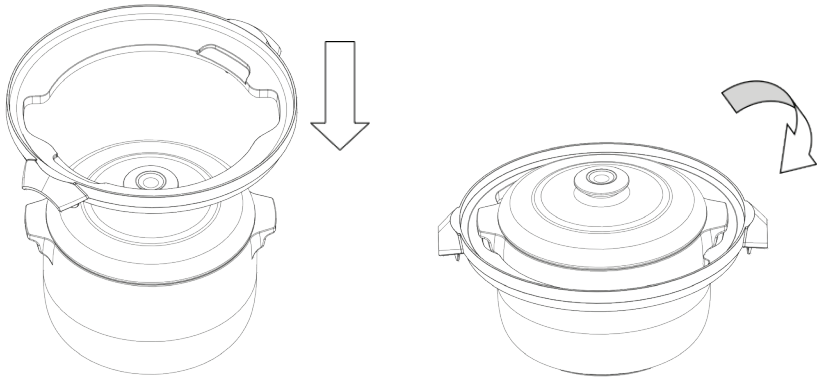
Timer Button

- After selecting the cooking function, the indicator light for the selected cooking function will turn on, with the display screen showing the default cooking time, while flashing continuously.
- Press the timer button to adjust your cooking time accordingly.
- The preset time increases by 0.5 (30 minutes) every one time when the button is pressed.
- The maximum preset time is 9.5 hours. After 9.5, the screen will display 0.0 if you press the preset button again and the cycle will repeat. To increase the time faster, you may press and hold the button.

Handle ring

- After placing all food ingredients into the ceramic inner pot, fit the handle ring nicely such that it can go through the ceramic inner pot and the handles from the top.
- After passing through the handles, turn the handle ring clockwise until the handle sits nicely on the handle ring, into its slot.

- Lift up the handle ring together with the ceramic inner pot and place it into the main body.
- After cooking, lift up the handle ring to take out the ceramic inner pot from the main body.
- This is to prevent direct contact and prevent scalding when taking out the ceramic inner pot.



Operating Steps

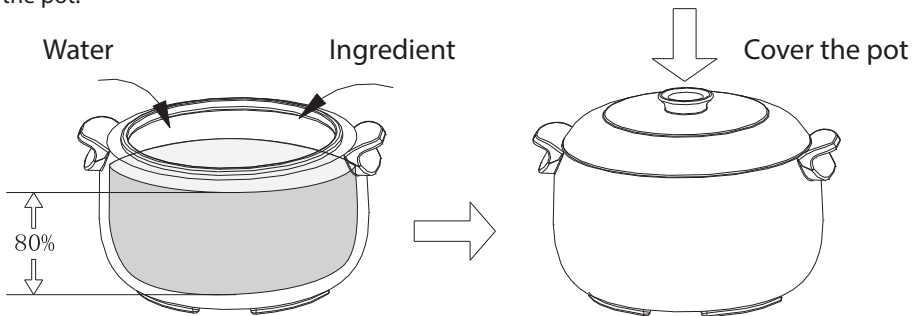
Double boiling is a cooking method that water is used as a medium to evenly and gently heat the food in the inner pot. Therefore, water must be added into the main body container in order to utilize this method.

1. Put the food ingredients into the ceramic inner pot.

Add water into the ceramic inner pot and cover it.

The amount of water to be placed into the ceramic will vary, depending on the food you are cooking.

Note: The ingredients and water in the ceramic inner pot should not exceed 80% of the capacity of the pot.



Note: When cooking Baby Porridge, add 50g of rice (use 1/4 mark on the measuring cup) and 400ml of water (use 3/4 scale of measuring cup, total of three cups).

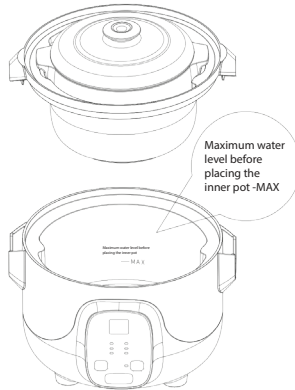
2. Add water into the main body until it reaches the maximum water level, then put the ceramic inner pot containing the ingredients in the ceramic pot, and put the top cover.

Note: Use Handle Ring to put ceramic inner pot into main body.

3. Turn on the power supply, the product will be in standby mode, and the display screen on the operation panel will display "0.0". The function and time can be set by pressing the "Preset" button, "Function/cancel" button and "Timer" button.

In standby mode, press the "Function/cancel" button to select the function (for example,

4. press it once to select "Birdnest" function) and then press the "Timing" button to adjust the timer.



Using Preset for Cooking:

Press the "Preset" button once. Within 6 seconds while the display screen is flashing continuously, press the preset button again while it is still flashing to adjust your preset time.

After selecting the preset time, press the "Function/Cancel" button to choose your cooking function. To adjust the cooking time, press the "Timer" button after that.

Note: Preset cannot be done for "Keep Warm" function.

Cooking function information

Mode	Birdnest	Soup	Baby Porridge	Dessert	Stew	Keep Warm
Default Time (hours)	1.5	2.5	2.0	2.6	1.2	NA
Preset Time	Yes	Yes	Yes	Yes	Yes	NA

After the appliance is used, please unplug the power cord and cut off the power supply.

Notes:

- Set an appropriate preset time based on the nature of the food ingredients and ensure that the food ingredients is immersed and soaked in water.
- The time of preset time set for those easy-deteriorating food should be too long to prevent the food from deteriorating.
- For food that takes a longer time to cook or are at cooler temperatures, cook it for a longer period of time and add more water based on the default cooking time, in order to ensure that the food is fully cooked.

- You can adjust the cooking time according to your personal preference, for appropriate flavor and better tasting food.
- Please add water into the main body until it reaches the MAX water level marks on container, so as to ensure that the food is cooked appropriately and prevent any product failure or dangers from occurring.
- If you need to open the lid at the time while stewing, please press the “Function/Cancel” key to stop operation. Do not remove the cover until the water stops boiling to prevent the boiling water from splashing out of the main body container, which may cause scalding injury.
- When the product enters into the state of “Keep Warm” there is no time limit for it, and the screen will display as “-:-”. Press the “Function/Cancel” button if you want to stop the food from keep warm.

CLEANING AND MAINTENANCE

Cleaning method

- The power cord should be unplugged before the product is cleaned, after it is cooled down.
- The ceramic pots can be washed with detergent and soft sponge. Do not use a stainless steel wire sponge to clean it as it causes damage to the surface.
- Use a wet towel to wipe the outside surface of the product body. Do not use corrosive liquids for cleaning.
- Descaling of heating plate in mainbody container: Put 1 to 2 tablespoons of white vinegar or 3 to 5 slices of lemon into the container, and then add water to cover the surface of the heating plate. Turn on the power first to heat the water until the water is boiling for about 2 minutes, and then turn off the power until the water is cooled to become warm water. Finally, clean it with scouring pad to remove incrustations.
- Do not immerse the power cord or the product as a whole into water or rinse them with water. This is to prevent the water from entering into the appliance and causing malfunctions to affect its safe use.

Storage method

- When the product is not used for a long time, please clean it and put it in the packing box. It should be stored in a dry and ventilated place.

TROUBLESHOOTING

Problem	Cause of Issue	Solution
The appliance screen display does not work after plugging the power cord.	The power plug is not properly plugged in.	Check that the power cord is properly plugged in.
The appliance screen display not working while cooking.	The water in the main body container has been boiled dry and caused the dry-burning temperature controller to act.	Please add water to the main body container to cool the appliance down before switching the appliance on.
The appliance does not function.	The appliance has malfunctioned.	Please contact the Service Centre for repair.

- Non-professionals should not remove and repair the product by themselves.
- If the power line is damaged, it must be replaced by the professional staff in the service centre in order to avoid danger.
- When the product fails and the trouble cannot be ruled out, do not repair by yourself.
- Please contact the service centre to for solution.
- The ceramic pots in this product are fragile items, which are not covered within the scope of warranty services, so please use them with care.