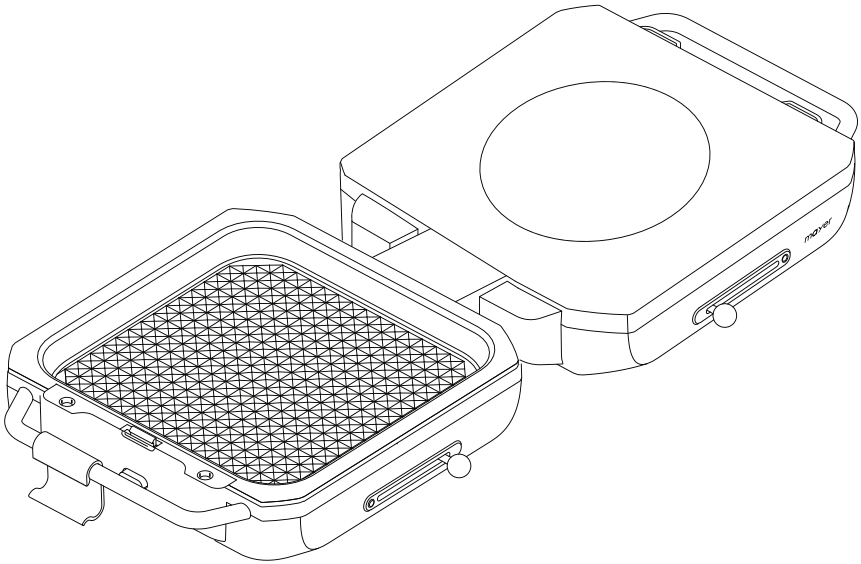


mayer

Multi-Functional Ceramic Cooker with Grill MMCCG206



CERAMIC COOKER WITH GRILL

Please read this instruction manual thoroughly before operating and keep it for future reference

IMPORTANT SAFETY INSTRUCTIONS

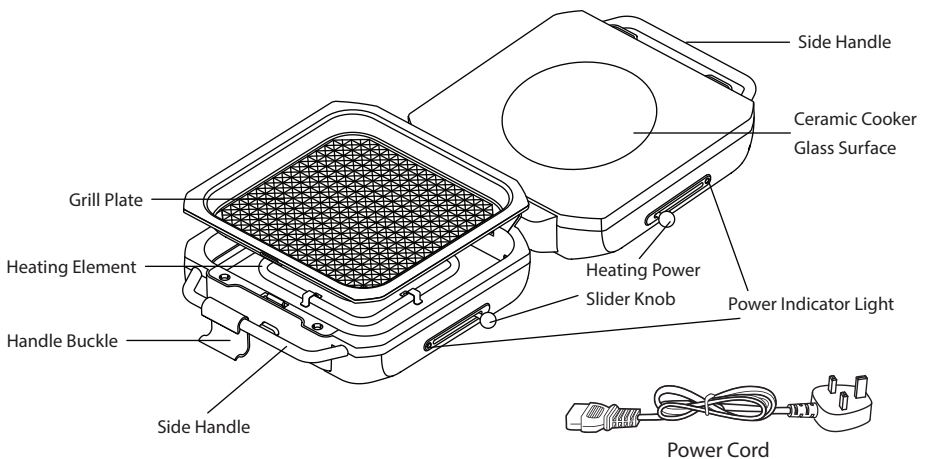
- This appliance is not intended for use by persons (including children) with reduced physical, sensory or mental capabilities, or lack of experience and knowledge unless they have been given supervision or instruction concerning the use of the appliance by a person responsible for their safety.
- Children should be supervised to ensure that they do not play with the appliance.
- The appliance is not intended for commercial purpose, it is for domestic use only.
- Do not operate any appliance with a damaged cord or plug or after the appliance malfunctions, or has been dropped or damaged in any manner. If the power cord is damaged, it must be replaced by the Service Centre to avoid a hazard.
- When using electrical appliances, basic safety precautions should always be followed to reduce the risk of fire, electric shock, and/or injury.
- Do not immerse appliance, cord or plug in water or other liquid, or it will cause an electric shock.
- Unplug from the outlet when not in use and before cleaning.
- Do not unplug the appliance by pulling on the cord.
- Use the accessories from the appliance only, as other accessories not from the appliance may cause fire, electric shock or injury.
- Only use the appliance after confirming that the appliance does not affect the pacemaker.
- Do not insert any foreign object (such as iron wire) into the air vent.
- Do not place unsuitable articles onto the heating plates (paper, aluminium foil, cloth, etc.).
- Avoid causing impacts on the heating plate.
- Do not place the appliance on top or any metal platform (iron, stainless steel, aluminium, etc.) or place a non-metal pad less than 10cm thick on the heating plate.
- Do not use the appliance in the bathroom, near the water source, outdoor or humid areas. Do not place the appliance on or near a hot gas or electric burner, or on a heated oven.
- Do not use this product directly on the heat resistant table cloth or protector such as carpet, towel, plastic, etc. This is to prevent any fire hazards.
- When using the appliance, place it on a flat and sturdy table surface. Do not operate the appliance on a wobbling or tilted work surface.
- When using the ceramic cooker, place it horizontally and allow at least 10cm of free space between the sides and back of the induction cooker and the wall.
- Let the appliance cool down completely before removing the grill plate and cleaning the appliance to store it away.
- Do not touch the grill plate with sharp or abrasive items, use wooden or plastic shovels or pliers, as this damages the non-stick coating.

- Overheated fat or oil, fatty residues and rest of meat on grill plate could ignite and start burning. Never leave the appliance unattended. In case of any oil and fat ignition, never extinguish with water. Switch off the appliance and damp down a fire carefully with a fire blanket or a damp dish towel.
- Do not let the appliance stay heated for a long period of time (without any food), so as to prevent overheating from using cracking and spontaneous combustion of the glass-ceramics, causing injury accidents and property losses.
- While operating the appliance, some surface area and parts of the appliance will be at a very high temperature so do not touch directly. Only touch the side handles, and power / heating switch only.
- Do not touch the heated appliance with your hands, please use gloves or a folded towel.
- Do not use plastic tray or plastic wrap on the bakeware and and glass-ceramics. It is recommended to choose flat-bottomed or non-reflective pots on the ceramic cooker to make the heat conduction effect better.
- Do not use any components from non-designated manufacturers which may cause harm or potential danger to users. Only use parts that are provided with the appliance.

PRODUCT TECHNICAL PARAMETERS

MODEL	RATED VOLTAGE	RATED POWER
MMCCG206	220-240V~, 50-60Hz	Total: 2150W (Ceramic Cooker: 1300W + Grill: 850W)

INTRODUCTION OF PARTS



CONTROLS AND OPERATIONS

Before First Use

- Remove all packaging materials.
- Remove any stickers or labels from the appliance. (Except the rating label)
- Wash the grill plate with water, some dishwashing liquid and a non-abrasive sponge (refer to Cleaning & Maintenance).
- Wipe the surface area of the appliance with a soft and damp cloth.

Warning:

- During use and after just using this appliance, its body, parts, and cookware used are still at high temperature. Therefore, please handle it with care.
- Please do not allow any child to use this appliance without any supervision. In addition, be sure not to operate this product on the premise of putting it at a place within the reach of children or on the ground to avoid any burn or scalding.

Assembling the Appliance:

For the grill plate:

- Place the grill plate accordingly on the body, ensuring that the bottom of the accessories and its latch are well-aligned with the heating base and lock catch on the body for them to sit nicely and well-fitted.

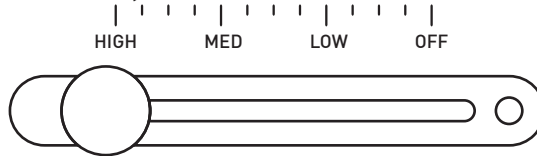
For the ceramic cooker

- Place the cookware you are using on the glass-ceramic ceramic cooker surface.
- Any material of cookware can be used for the ceramic cooker, such as heat-resistant cooking pots, aluminium, iron, casserole, copper, ceramics and heat-resistant glass, etc.
- The diameter of the bottom of the cookware should be between 18 cm to 24 cm. Before using the ceramic cooker, make sure that there is no water stains on the surface of the radiant-cooker, no sundries on the pot body in contact with the glass-ceramic, and the pot is placed in the middle of the heating area of the radiant-cooker.

Note: This appliance is designed to be foldable. Please open up the appliance smoothly and gently with care, and open fully to 180°, and place it on a flat, stable and heat-resistant flat table surface. The non-slip feet at the bottom of the appliance will nicely adhere to the table surface to ensure that the appliance stable on the table.

Setting Up:

- Please ensure that the temperature slide knob is at the "OFF" position.
- Insert the power plug of the power line into the wall socket.
- Place the grill plate and cookware that will be used on the main body on top of the heating base, and the product is ready to use.



Preheating:

- Preheat the appliance as per the recipe's requirements. It is recommended to preheat the grill plate before using.
- Slide the knob from left to right side to control the temperature, between low, medium and high heat.
- When using for the first time, the appliance may produce a little smoke or smell due to the volatilization of protective oil on the heating tube. This is not a fault and will disappear as the appliance is being used continuously over time.
- If the appliance creaks during its use, this sound is caused by the expansion of heating plate and is not a fault.
- Please pre-heat the appliance within the designated time. In general, preheating of the appliance is approximately 3 to 5 minutes.

Cooking

1. Pour an appropriate amount of cooking oil and water into the grill plate and cooking pot respectively to start cooking your ingredients.
2. Slide the temperature control to the cooking temperature.
3. Please use an appropriate cooking tool to flip, scramble, mix, or stir the food. Do not use any sharp, abrasive or metal cooking tools. Wooden or silicon material cooking tools are recommended.
4. For heating level and cooking reference information, please refer to page 5 and 6 for more details.

Temperature Adjustment Scale and Food Reference		
Operating Mode	Approximate Temperature (°C)	Food
LOW	90-120	Keep Warm
MEDIUM	140-160	Shrimp, scallops, fried dumplings, steak, fried eggs, pizza
HIGH	200-220	Pies, egg, cakes, pancakes, fish, chicken wings, fried buns, dumplings, meat skewers, etc.

- The above temperature guide refers to the surface temperatures the grill plate and cooking pot without the lid and any food material.
- Warning: During or after the use, please do not touch the main body, accessories / cookware, and cover as they are still at high temperature and it is very hot.

After Cooking:

1. Slide the temperature knob to the left side "OFF" position.
2. Pull the power plug out of the power socket and disconnect power cord from the appliance.
3. Allow the grill plate and cookware to be completely cooled down before taking them out from the appliance and proceed to cleaning up.
4. Please handle this product with care to avoid scalding.

Cooking Information Guide

The table below helps you to select the basic settings for the ingredients you want to prepare. Note: Keep in mind that these settings are just general guidelines. Actual cooking timing may vary by the different types of food. E.g. size and quantity of food, and the thickness of the meat. There is no guarantee of the best setting for your ingredients.

Grill Plate Cooking Time Reference	
Type of Food	Recommended Cooking Time
Fish and Shrimp	8-10 mins
Fried Eggs	2-4 mins
Dumplings	6-7 mins
Fried Buns	15-18 mins
Pizza	8-10 mins
Fried Dumplings	4-6 mins
Vegetables	5-7 mins
Wraps / Crepe	4-6 mins
Fried Fish	8-10 mins
Chicken Wings	8-12 mins
Steak	6-9 mins
Egg Cake	2-4 mins
Thin Pancake	2-4 mins
Meat Skewers	8-10 mins

CLEANING AND MAINTENANCE

- Always switch off the appliance, unplug from the mains and let the appliance cool down when the appliance is not in use or before cleaning, putting, or taking out parts.
- Do not immerse the appliance into water or other liquids.
- Do not soak the grill plate into water or wash the back of the grill pan with water. The front of the bakeware can be washed or wiped with a wet cloth. If the back of the grill plate gets accidentally wet, use a soft dry cloth to dry it.
- The main body cannot be washed with water. After the appliance has fully cooled down, please wipe the main body and the heating plate with a soft, gentle and damp cloth only.
- The glass-ceramic surface of the ceramic cooker is of non detachable design. After use, ensure the appliance is thoroughly cooled down, then wiped it with a napkin or a soft gentle damp cloth. Do not wash it directly with water to prevent electric leakage. The air outlet and air inlet can be cleaned with cotton swabs to remove the dust. If there are tea stains, use a toothbrush and a little detergent that does not damage the ceramic cooker surface to remove carefully.

Cleaning:

- After using this product, it is necessary to avoid leaving any residual food material on the appliance.
- Please clean this product with neutral kitchen cleaning liquid.
- Always use a soft and gentle sponge to clean. Do not use any metal scouring pads as this will damage the appliance.
- Please do not use any corrosive detergent, scrubbing detergent or gasoline diluent. Please do not use hard objects such as metal turner and knife to rub the surfaces.
- Please do not place in a dishwasher or drying machine.

Product Care:

- Please use a piece of slightly wet rag to wipe the smudges away.
- Please use soft cloth dipped in neutral detergent to wipe the greasy dirt away.
- Please use clean and soft towel to wipe moisture away.
- Please use a brush to remove any food material in the gaps of this product.
- Be sure not to directly clean the body of this product with water to avoid electric shock or any fault.

TROUBLESHOOTING

Problem	Cause of Issue	Solution
The appliance is not heating up.	The appliance is not turned on.	Turn on the appliance by sliding the power slider knob.
	The PCB is faulty.	Contact the Service Centre for repair.
The power indicator light is not on and there is no heat.	The power cord is not connected properly.	Check if the power cord is connected properly.
The power indicator light is switch on and the heating does not work.	Grill plate is not in place.	Put the grill plate in place.
	The heating element is broken.	Please contact the Service Centre for repair.
Grill plate does not heat	Grill plate is not in place.	Put the grill plate in place.
The appliances stops heating suddenly when in use.	The power cord is not connected properly and become loose.	Check and ensure that the power plug is properly connected when in use.
	Air outlet / air inlet is blocked.	Make sure the air outlet / air inlet is clear.
	Fuse or circuit board failure.	Please contact the Service Centre for repair.
The appliance will not stand up properly when folded.	The handle buckle is loose and not fastened properly.	Fasten the handle buckle.
	The appliance is placed on an uneven surface.	Place the appliance on a flat surface.
The appliance cannot be folded.	The grill plate is not placed into the appliance properly.	Adjust the grill plate and ensure it is properly placed in position.
The appliance makes a continuous beeping sound.	The appliance sensor has either an open circuit or short circuit.	Please contact the Service Centre for repair.
	The surface temperature of the appliance is too high.	Power off the appliance and let it cool down before switching it back on.
	The circuit voltage is too high or too low.	Check whether the voltage is within the normal range.
The appliance fan continues to work after appliance is turned off.	This is not an issue and it is a normal function. The fan will turn off and stop working on its own after 20 seconds.	