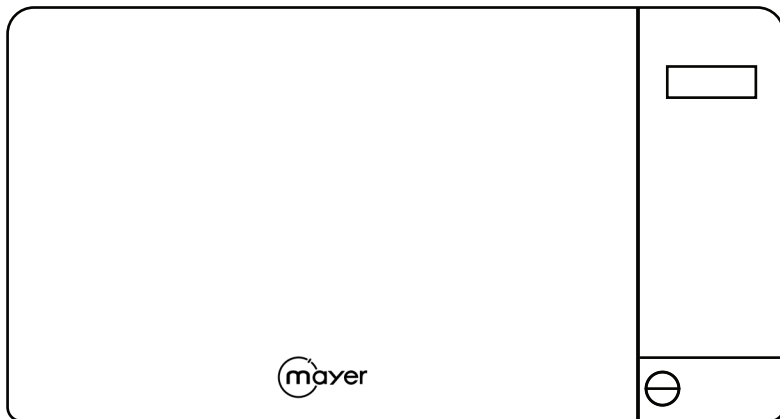




# Microwave Oven

## MMMW20



### MICROWAVE OVEN

Please read this instruction manual thoroughly before operating and keep it for future reference

# IMPORTANT SAFETY INSTRUCTIONS

- This appliance is not intended for use by persons (including children) with reduced physical, sensory or mental capabilities, or lack of experience and knowledge unless they have been given supervision or instruction concerning the use of the appliance by a person responsible for their safety.
- Children should be supervised to ensure that they do not play with the appliance.
- Do not operate any appliance with a damaged cord or plug or after the appliance malfunctions, or has been dropped or damaged in any manner. If the power cord is damaged, it must be replaced by the Service Centre to avoid a hazard.
- When using electrical appliances, basic safety precautions should always be followed to reduce the risk of fire, electric shock, and/or injury.
- Do not immerse appliance, cord or plug in water or other liquid.
- Unplug from the outlet when not in use and before cleaning.
- Do not unplug the appliance by pulling on the cord.
- Use the accessories from the appliance only, as other accessories not from the appliance may cause fire, electric shock or injury.
- Avoid possible exposure to excessive microwave energy.
- Do not operate this appliance with the door open as it can result in harmful exposure the microwave energy.
- Do not tamper with the safety interlocks.
- Do not place any object between the front of the appliance and the door.
- Do not allow any soiling or cleaner residue to accumulate on the sealing surface.
- Do not operate the appliance if it is damaged.
- Do not operate the oven if it is damaged. It is very important that the oven door close properly and that there is no damage to the following:
  - Door (inclusive of any bent)
  - Hinges and latches (broken or loosened)
  - Door seals and sealing surfaces
- This appliance is for household use only, it is intended for defrosting, cooking, and heating up food only.
- Do not operate the oven when it is empty.
- To reduce the risk of fire:
  - Keep an eye on the appliance when heating food in a plastic or paper container.
  - Remove wire twist-ties from paper or plastic bags before placing the bag in the appliance.
  - If there is smoke, switch off and unplug the appliance and keep the door closed to stifle any flames.
  - Do not use the cavity for storage purposes. Do not leave paper products, cooking utensils, or food in the appliance when not in use.

- Liquid or other food must not be heated in sealed containers since they are liable to explode.
  - Microwave heating of beverages can result in delayed eruptive boiling, therefore please handle with care when handling the container.
  - Do not fry food in the oven. Hot oil can damage oven parts and utensils and even result in skin burns.
  - Do not heat any egg in the shells and or whole hard-boiled eggs, as they may explode even after the heating has finished.
  - Be sure to poke holes in foods with thick skins such as potatoes, whole squashes, apples, and chestnuts before heating them in the appliance.
  - Be sure to stir, shake, and check the temperature of the contents in the feeding bottles or baby food jars before serving to avoid burns.
  - Cooking utensils may become hot because of heat transferred from the heated food.
  - Potholders may be needed to handle the utensil.
  - Do not operate the oven without a glass tray, roller ring, and shaft in their proper positions. Utensils should be checked to ensure that they are suitable for use in the microwave oven.
  - This product is a Group 2 Class B ISM equipment. The definition of Group 2 contains all ISM (Industrial, Scientific and Medical) equipment in which radio-frequency energy is intentionally generated and/or used in the form of electromagnetic radiation for the treatment of material, and spark erosion equipment.
- For Class B equipment is equipment suitable for use in domestic establishments and in establishments directly connected to a low voltage power supply network which supplies buildings used for domestic purpose.
- Do not install oven over a range cook top or other heat-producing appliance. if installed could be damaged and the warranty would be a void .
- The appliance should be placed in an open area, do not put it inside a cabinet.
- This microwave must be placed on a flat and stable surface.
  - Allow 20 cm of spacing above the appliance, 10 cm behind, and 5 cm at the sides to allow sufficient airflow.
  - Do not cover or block any of the openings on the appliance.
  - Do not remove the feet of the appliance.
  - Do not remove the distance holder in the back or sides of the appliance.
  - Do not place the oven in an area where there is a high amount of heat, moisture, or humidity, and combustible materials.
- The temperature of accessible surfaces may be high when the appliance is operating.
- The appliances are not intended to be operated by means of an external timer or separate remote-control system.
- Please secure the turntable before you move the appliance to avoid damages.
- Use gloves if you remove any heated food.
  - Caution: Steam will escape when opening lids or wrapping foil.

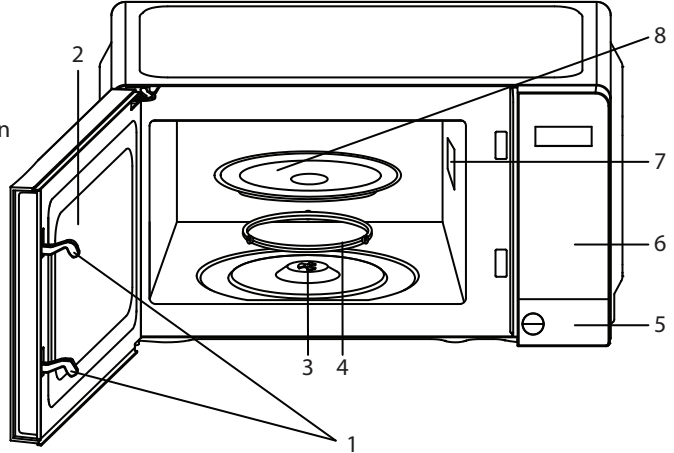
- Operation of the microwave oven can cause interference to your radio, TV, or similar equipment. When there is interference, it may be reduced or eliminated by taking the following measures:
  - Clean the door and the sealing surface of the oven.
  - Reorient the receiving antenna of radio or television.
  - Relocate the microwave oven with respect to the receiver.
  - Move the microwave oven away from the receiver.
  - Plug the microwave oven into a different outlet so that the microwave oven and receiver are on different branch circuits.

# PRODUCT TECHNICAL PARAMETERS

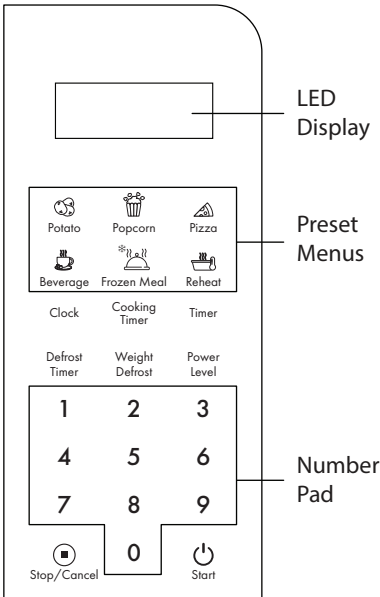
MODEL	RATED VOLTAGE	RATED POWER	MICROWAVE OUTPUT	GROSS CAPACITY
MMMW20	230-240V, 50Hz	1100W	700W, 2450MHz	20L

# INTRODUCTION OF PARTS

1. Safety Door Interlock
2. Glass Door
3. Turntable Shaft
4. Turntable Roller Ring
5. Door Release Push Button
6. Control Panel
7. Wave Guide
8. Turntable Glass Tray



## Control Panel



## Control Panel Information:

LED Display	Cooking time, power, indicators and present time are displayed.
Preset Menus	Instant settings to cook popular foods.
Clock	Press to set clock time.
Time Cooking	Press to set microwave cooking program.
Timer	Press to set timer function.
Time Defrost	Press to defrost food based on time.
Weight Defrost	Press to defrost food based on weight.
Power Level	Press to set microwave cooking power level.
Number Pad (0 - 9)	Use to set time or food weight.
Stop / Cancel Button	Press once to temporarily stop cooking, or twice to cancel cooking altogether.
Start Button	Use to start cooking and defrosting programs.

# CONTROLS AND OPERATIONS

## Before first use:

- Wash all accessories in detergent and water.
- Thoroughly dry all accessories and re-assemble in oven, plug oven into outlet and you are ready to use your new oven.

## Before operating the oven:

1. Before turning on the oven, ensure that there is nothing inside the oven, except for its accessories (i.e. roller ring & glass tray).
2. Plug oven into outlet and turn on main switch.
3. Place food ingredients onto turntable glass tray in the oven.
4. Proceed to operating the oven.

## Operating the oven:

- When the oven first turns on, there will be a beep sound and the display will show "1:01".
- While setting the functions, the appliance will go into standby mode after 25 seconds. This is normal.
- While cooking, you can pause the operating function by pressing the Stop/ Cancel button once, and press the Start button to resume the paused function. To stop or cancel the function, press the Stop/ Cancel button twice.
- Once the cooking has finished, the display will show End, and the appliance will beep every 2 minutes until the Stop/ Cancel button has been pressed, or the oven door has been opened.
- While setting the functions / operating the appliance, there will be a single beep sound when you press any button. However, if the beep sound rings twice when you press a button, this mean that the function or operating button selecting cannot be selected in this way.

### 1. Setting the clock time

This appliance come with a 12- or 24- hour clock. You can choose to set the clock time in 12- or 24-hour mode by pressing the CLOCK button in standby mode.

- In standby mode, press Clock button repeatedly to select 12- or 24- hour clock.
- Use number buttons to enter the correct time.
- Press CLOCK button to confirm.

#### Note:

- During cooking, you can check the current clock time by pressing Clock button.

## 2. Setting the kitchen timer

The timer is use as a kitchen timer to set timer function. This can be use when not operating the microwave. The longest duration that can be set is 99 minutes and 99 seconds.

- In standby mode or during cooking, press timer button once.
- Press number pad to set desired cooking time. For example, to use 5 seconds, just press 5 on the number pad. To set 1 minute and 5 seconds, press 105 on the number pad, and the screen will show 1:05.
- Press Start button to confirm, and the kitchen timer will start to countdown. Once the timer ends, it will have a beeping alarm.

Note:

- When the countdown ends, the buzzer will beep to inform you. You can check the countdown time by pressing kitchen timer button. If STOP/CANCEL button is pressed when the display shows the countdown timer, the function can be cancelled.

## 3. DIY microwave cooking

- In standby mode, press Time Cook button once to set the cooking duration for microwave cooking.
- Press number pad button to set the cooking time. For example, to use 5 seconds, just press 5 on the number pad. To set 1 minute and 5 seconds, press 105 on the number pad, and the screen will show 1:05. The longest time is 99 minutes and 99 seconds.
- Press Power Level button once to set the cooking power level. The default power level is 100%. Press the number pad buttons to set others power level if desired (refer to Cooking Power Level table below).
- Press Start button to start.

### Cooking Power Level

Press the number pad as per below table to set the cooking power level:

Press Number	Power (Display)	Press Number	Power (Display)
1, 0	100% (P100)	4	40% (P-40)
9	90% (P-90)	3	30% (P-30)
8	80% (P-80)	2	20% (P-20)
7	70% (P-70)	1	10% (P-10)
6	60% (P-60)	0	0% (P-00)
5	50% (P-50)		

Note:

- During cooking, you can press the Power Level button to check back on the set cooking power level.

#### 4. Time defrost

This is to defrost food based on desired set timer.

- In standby mode, press Time Defrost button once.
- Use number pad to set defrosting time. For example, to use 5 seconds, just press 5 on the number pad. To set 1 minute and 5 seconds, press 105 on the number pad, and the screen will show 1:05. The longest time is 99 minutes and 99 seconds.
- Press Start button to confirm.

#### Recommended defrost time

The following table is a recommended time to defrost food, based on the weight of your food. This is just a guide for reference, and the time may vary depending on the environment and surrounding as well.

Weight of food (g)	Recommended defrost time (mm:ss)
200	4:00
400	6:00
600	8:00
800	11:00
1000	13:00

Note:

- During defrosting, the appliance will automatically pause and sound beeps to remind user to turn food over, and then press Start button to resume.

#### 5. Weight defrost

This is to defrost food based on the weight of the food. The defrosting time and power level are automatically set once the weight of the food is inputted. The maximum frozen food weight is 2000g.

- In standby mode, press Weight Defrost button once.
- Use number pad to input the weight of the food.
- Press Start button to confirm.

Note:

- During defrosting, the appliance will automatically pause and sound beeps to remind user to turn food over, and then press Start button to resume.

## 6. Multi-stage cooking

This oven allows up to 3 levels of multi-stage cooking. This means that you can program up to 3 different functions to automatically work in sequence. The functions can be composed of time defrost with one or two microwave cooking functions, or just composed of two microwave cooking functions.

### **A: Time defrost with one or two stages of microwave cooking**

- Open the door and place the food into the oven, close it.
- Press Time Defrost button once.
- Enter the desired defrosting time by pressing the number pad.
- Set the first microwave cooking program. DO NOT press the Start button.
- Set the second microwave cooking program.
- Press START button to start.

Note:

- If you are only using one microwave cooking program, you can ignore the 5th step on inputting the second microwave cooking program. Time defrost can only be set as the first stage of multi-stage cooking.

### **B: Two stages of microwave cooking**

Some recipes require different stages of cooking at different temperatures.

- Open the door and place the food into the oven, close it.
- Set the first microwave cooking program. DO NOT press the Start button.
- Set the second microwave cooking program.
- Press START button to start.

## 7. Child-lock

This safety lock prevents children from any unsupervised operation on the oven.

- To enter child lock safety feature: In standby mode, if there is no operation within one minute, the oven will auto enter child lock mode. Press any button, a lock indication appears on the LED display for 3 seconds.
- To cancel child lock safety feature: In child lock mode, open or close the oven door once to cancel the program and the lock indicator light will turn off.

## 8. Preset Menus

The preset menus allow you to cook or reheat food automatically without entering power level or time. For small portions, simply press the applicable button and start. For larger portions, push the button twice. The Frozen Meal, Potato and Beverage preset menus allow you to cook multiple amounts of the same food.

### A) Potato

For regular size potatoes (120g – 170g per serving):

- Press Potato button once.
- Enter the number of potatoes by pressing number pad from 1 to 4.
- Press Start button to start.

For large potatoes (220g – 280g per serving):

- Press Potato button twice.
- Enter number of potatoes by pressing number pad from 1 to 4.
- Press Start button to start.

### B) Popcorn

- Press Popcorn button once. Popcorn preset menu automatically sets the cooking time for a 99 g bag of microwave popcorn.
- Press Start button to start.

Note:

- To change the preset popcorn time, press Popcorn button twice. Press the number pad buttons to set the time in minutes and seconds, then press start button to start. The longest cooking time is 99 minutes and 99 seconds. This new cooking time will be set as the default timer until next power on of the appliance.
- For a better cooking effect, when cooking a large bag of microwave popcorn, it is required to fold the four corners of the package.

### C) Pizza

One slice of pizza (about 150g):

- Press Pizza button once.
- Press Start button to start.

A whole frozen pizza (about 450g):

- Press Pizza button twice.
- Press Start button to start.

## 8. Preset Menus

The preset menus allow you to cook or reheat food automatically without entering power level or time. For small portions, simply press the applicable button and start. For larger portions, push the button twice. The Frozen Meal, Potato and Beverage preset menus allow you to cook multiple amounts of the same food.

### A) Potato

For regular size potatoes (120g – 170g per serving):

- Press Potato button once.
- Enter the number of potatoes by pressing number pad from 1 to 4.
- Press Start button to start.

For large potatoes (220g – 280g per serving):

- Press Potato button twice.
- Enter number of potatoes by pressing number pad from 1 to 4.
- Press Start button to start.

### B) Popcorn

- Press Popcorn button once. Popcorn preset menu automatically sets the cooking time for a 99 g bag of microwave popcorn.
- Press Start button to start.

Note:

- To change the preset popcorn time, press Popcorn button twice. Press the number pad buttons to set the time in minutes and seconds, then press start button to start. The longest cooking time is 99 minutes and 99 seconds. This new cooking time will be set as the default timer until next power on of the appliance.
- For a better cooking effect, when cooking a large bag of microwave popcorn, it is required to fold the four corners of the package.

### C) Pizza

One slice of pizza (about 150g):

- Press Pizza button once.
- Press Start button to start.

A whole frozen pizza (about 450g):

- Press Pizza button twice.
- Press Start button to start.

- Rearrange food such as meatballs halfway through the cooking both from top to bottom and from the center of the dish to the outside.

**Microwave Cooking Utensils Guide**

- Only use utensils that are suitable for use in microwave ovens. Microwave cannot penetrate metal. Therefore, metallic containers for food and beverages are not allowed during microwave cooking. However, this requirement is not applicable if the manufacturer specifies size and shape of metallic containers that is suitable for microwave cooking.
- Microwave cannot penetrate metal, so metal utensils or dishes with metallic trim should not be used.
- Do not use recycled paper products when microwave cooking, as they may contain small metal fragments which may cause sparks and/or fires.
- Round /oval dishes rather than square/oblong ones are recommended, as food in corners tends to overcook.
- Narrow strips of aluminum foil may be used to prevent overcooking of exposed areas. But be careful don't use too much and keep a distance of 1 inch (2.54cm) between foil and cavity.

The list below is a general guide to help you select the correct utensils:

Cookware	Microwave Cooking
Heat-Resistant Glass	Yes
Non Heat-Resistant Glass	No
Heat-Resistant Ceramics	Yes
Microwave - Safe Plastic Dish	Yes
Kitchen Paper	Yes
Metal Tray	No
Metal Rack	No
Aluminium Foil and Foil Containers	No

**Material that can be used in microwave oven:**

Utensils	Remarks
Browning dish	Follow manufacturer's instructions. The bottom of browning dish must be at least 3/16 inch (5mm) above the turntable. Incorrect usage may cause the turntable to break.
Dinnerware	Microwave-safe only. Follow manufacturer's instructions. Do not use cracked or chipped dishes.
Glass jars	Always remove lid. Use only to heat food until just warm. Most glass jars are not heat resistant and may break.
Glassware	Heat-resistant oven glassware only. Make sure there is no metallic trim. Do not use cracked or chipped dishes.
Oven cooking bags	Follow manufacturer's instructions. Do not close with metal tie. Make slits to allow steam to escape.
Paper plates and cups	Use for short-term cooking/warming only. Do not leave oven unattended while cooking.
Paper towels	Use to cover food for reheating and absorbing fat. Use with supervision for a short-term cooking only.
Parchment paper	Use as a cover to prevent splattering or a wrap for steaming.
Plastic	Microwave-safe only. Follow the manufacturer's instructions. Should be labeled "Microwave Safe". Some plastic containers soften, as the food inside gets hot. "Boiling bags" and tightly closed plastic bags should be slit, pierced or vented as directed by package.
Plastic wrap	Microwave-safe only. Use to cover food during cooking to retain moisture. Do not allow plastic wrap to touch food.
Thermometers	Microwave-safe only (meat and candy thermometers).
Wax Paper	Use as a cover to prevent splattering and retain moisture.

**Material to be avoided in microwave oven:**

Utensils	Remarks
Aluminum tray	May cause arcing. Transfer food into microwave-safe dish.
Food carton with metal handle	May cause arcing. Transfer food into microwave-safe dish.
Metal or metal trimmed utensils	Metal shields the food from microwave energy. Metal trim may cause arcing.
Metal twist ties	May cause arcing and could cause a fire in the oven.
Paper bags	May cause a fire in the oven.
Plastic foam	Plastic foam may melt or contaminate the liquid inside when exposed to high temperature.
Wood	Wood will dry out when used in the microwave oven and may split or crack

## CLEANING AND MAINTENANCE

- Turn off the oven and unplug the power cord from the wall when cleaning.
- Keep the inside of the oven clean. When food splatters or spilt liquids adhere to oven walls, wipe with a damp cloth.
- Do not immerse the appliance into the water. Clean it with a soft and gentle damp cloth.
- Only the accessories can be washed in detergent and water.
- Mild detergents may be used if the oven gets very dirty.
- Avoid using spray or other harsh cleaners. They may stain, streak or dull the door surface.
- The outside of the oven should be cleaned with a damp cloth. To prevent damage to the operating parts inside the oven, water should not be allowed to seep into the ventilation openings.
- Wipe the door and window on both sides, the door seals and adjacent parts frequently with a damp cloth to remove any spills or splatters. Do not use abrasive cleaner.
- Do not use any steam cleaner.
- Do not allow the control panel to come in direct contact with water and get wet. Clean with a soft, damp cloth. When cleaning the control panel, leave the oven door open to prevent the oven from accidentally turning on.
- If steam accumulates inside or around the outside of the oven door, wipe with a soft cloth.
- This may occur when the microwave oven is operated under high humidity condition. And it is normal.
- It is occasionally necessary to remove the glass tray for cleaning. Wash the tray in warm sudsy water or in a dishwasher.
- The roller ring and the base of the oven cavity should be cleaned regularly to avoid excessive noise. Simply wipe the bottom surface of the oven with mild detergent. The roller ring may be washed in mild, soapy water or in a dishwasher. When removing the roller ring, be sure to put it back in the proper position.

### Note:

- The oven should be cleaned regularly and any food deposits should be removed.
- Failure to maintain the oven in a clean condition could lead to deterioration of the surface that could adversely affect the life of the unit and could possibly result in a hazardous situation.

### Cleaning Tips

- Remove odors from your oven by combining a cup of water with the juice and skin of one lemon in a microwaveable bowl. Microwave for 5 minutes. Wipe thoroughly and dry with a soft cloth.

## TROUBLESHOOTING

Problem	Cause of Issue	Solution
Appliance cannot be turned on	Plug is not secure in main switch	Check to ensure the oven is plugged in securely. If not, remove the plug from the outlet, wait 10 seconds, and plug it in again securely
	Blown circuit fuse or tripped main circuit breaker	Fix blown circuit / main circuit breaker
		Test the outlet with another appliance to confirm if the circuit or the appliance itself is faulty
	The door is not closed properly	Ensure that the door is securely closed, engaging the safety interlock feature. If the door is not properly closed, the microwave energy will not flow inside and the appliance will not work
	Appliance is not working	Please bring it to the Service Centre
Control panel is not programmed correctly and the timer set is wrong	Control panel is faulty	Please bring it to the Service Centre