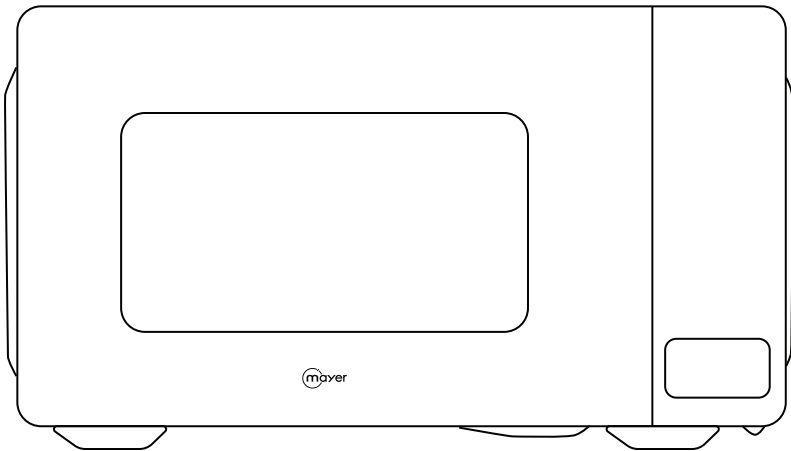




# Digital Microwave Oven MMMW3201D



## MICROWAVE OVEN

**Please read this instruction manual thoroughly  
before operating and keep it for future reference**

Product design, features and specifications are correct at time of printing but are  
subject to change without prior notice.

# IMPORTANT SAFETY INSTRUCTIONS

## WARNING

- If the door, hinges, latches, or door seals are damaged, the appliance must not be operated until it has been repaired by a trained technician.
- Do not operate the appliance with the door open, as this may result in harmful exposure to microwave energy. Do not tamper with safety interlocks.
- Do not place any object between the appliance front face and the door, or allow dirt or cleaning residue to accumulate on door sealing surfaces.
- It is hazardous for anyone other than a qualified service person to carry out any service or repair operation that involves removal of a cover protecting against exposure to microwave energy.
- Do not operate this appliance if it has a damaged cord or plug, if it is not working properly, or if it has been dropped or damaged. If the supply cord is damaged, it must be replaced by the manufacturer, its service agent, or a similarly qualified person to avoid a hazard.
- Liquids or other foods must not be heated in sealed containers, as pressure may build up and cause explosion.
- Microwave heating of beverages can result in delayed eruptive boiling. Care must be taken when removing containers from the appliance to avoid scalding.
- Eggs in their shells and whole hard-boiled eggs must not be heated in the microwave oven, as they may explode even after heating has finished.
- Do not attempt to dry clothes, newspapers, footwear, or similar materials in this appliance. They may catch fire.
- Do not use the appliance for purposes other than cooking, defrosting, or reheating food. This appliance is not designed for laboratory or industrial use.

## ELECTRICAL SAFETY

- This appliance is intended for household use only.
- This appliance must be connected to a properly grounded power socket.
- A dedicated power outlet is recommended. Do not share a socket with other high-power appliances to prevent overloading.
- Do not use extension cords or multi-plugs, as this may cause overheating or fire.
- Unplug the appliance when not in use and before cleaning.
- Do not immerse the cord, plug, or appliance in water or other liquids.
- Do not unplug the appliance by pulling on the cord. Hold the plug firmly to remove it.
- This appliance is not intended to be operated by means of an external timer or separate remote-control system.
- Repairs or servicing involving removal of protective covers, replacement of the power cord, or internal components must only be carried out by an authorised service centre.

## **FIRE SAFETY**

- When heating food in plastic or paper containers, monitor the appliance carefully as ignition may occur.
- Remove wire twist-ties from paper or plastic bags before placing them in the oven.
- Do not use the oven cavity for storage. Remove all paper products, cooking utensils, and food when not in use.
- If smoke is observed, switch off or unplug the appliance and keep the oven door closed to stifle any flames.
- Do not fry food in the microwave oven. Hot oil may cause burns, damage components, or ignite.
- Do not operate the appliance when empty, as this may damage the appliance.
- Do not use recycled paper products unless labelled as microwave-safe, as they may contain metal fragments that could cause sparking or fire.
- Do not heat flammable liquids such as alcohol or spirits. Vapours may ignite.

## **FOOD & UTENSIL SAFETY**

- Only use utensils suitable for microwave ovens. Metallic containers, aluminium foil, metal twist-ties, or utensils with metallic trim must not be used.
- Pierce foods with thick skins, such as potatoes, squash, apples, and chestnuts, before heating.
- Stir baby food and beverages thoroughly and check temperature before serving to prevent burns.
- Cooking utensils, containers, and the glass turntable may become hot due to heat transferred from food. Use oven gloves or potholders when handling.
- Do not place cold water directly onto the hot glass turntable after cooking. Allow it to cool for at least 20 minutes to prevent cracking.
- Use caution when opening lids or food coverings, as hot steam may escape.

## **CHILD SAFETY**

- This appliance may be used by children aged 8 years and above, and by persons with reduced physical, sensory, or mental capabilities, provided they are supervised or instructed on safe use and understand the hazards involved.
- Children must not play with the appliance.
- Cleaning and maintenance must not be carried out by children without supervision.
- Do not allow children to use the oven unsupervised. Accessible parts may become hot and cause burns.
- When combination or high-temperature cooking modes are used, children should operate the appliance only under close adult supervision.

## OPERATION & INSTALLATION

- This microwave oven is intended for freestanding use only.
- Do not block or cover ventilation openings.
- Maintain a minimum clearance of:
  - 20 cm above the appliance
  - 10 cm at the rear
  - 5 cm on each side
- The rear of the appliance should be placed close to a wall while maintaining required ventilation space.
- Do not place the appliance inside a cabinet or above a cooking range or other heat-producing appliance.
- Place the appliance on a flat, stable surface capable of supporting its weight and contents.
- Always ensure the glass turntable, roller ring, and turntable shaft are correctly installed before operation.
- Secure the glass turntable before moving the appliance to prevent damage.
- Do not clean the appliance with a steam cleaner.
- Do not operate the appliance outdoors or in damp environments such as bathrooms or near swimming pools.
- Do not place heavy objects on top of the appliance.
- Accessible surfaces may become hot during use. Exercise caution.

## GROUP 2 CLASS B ISM EQUIPMENT

- This product is a Group 2 Class B ISM appliance.
  - Group 2 ISM equipment includes all industrial, scientific, and medical equipment in which radio-frequency energy is intentionally generated and/or used in the form of electromagnetic radiation for the treatment of material, as well as equipment such as electrical discharge machining (spark erosion) and arc welding equipment.
  - Class B equipment is suitable for use in domestic establishments and in establishments directly connected to a low-voltage power supply network that supplies buildings used for domestic purposes.
- Operation may cause interference to radio, television, or similar equipment. To reduce interference:
  - Clean the door and sealing surfaces
  - Reorient the receiving antenna
  - Relocate the appliance away from the receiver
  - Connect the appliance to a separate electrical circuit

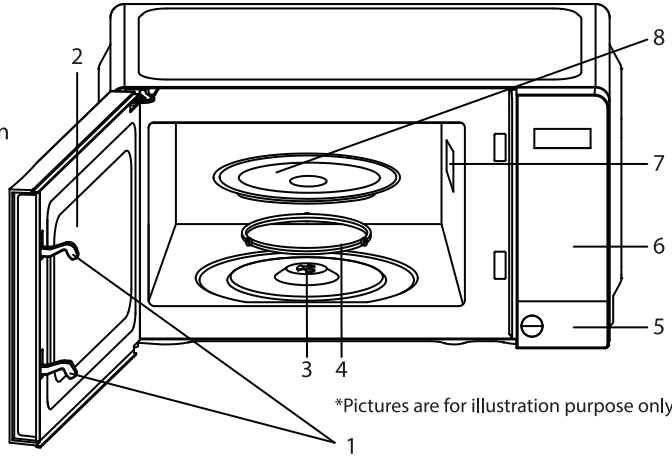
# PRODUCT TECHNICAL PARAMETERS

MODEL	RATED VOLTAGE	RATED POWER	MICROWAVE OUTPUT	GROSS CAPACITY
MMMW3201D	230-240V, 50Hz	1100W	700W	20L

\*Specifications are subject to change without prior notice.

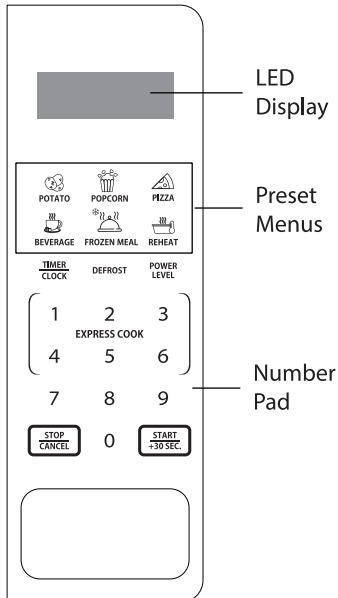
# INTRODUCTION OF PARTS

1. Safety Door Interlock
2. Glass Door
3. Turntable Shaft
4. Turntable Roller Ring
5. Door Release Push Button
6. Control Panel
7. Waveguide Cover
8. Turntable Glass Tray



\*Pictures are for illustration purpose only.

## Control Panel



## Control Panel Information:

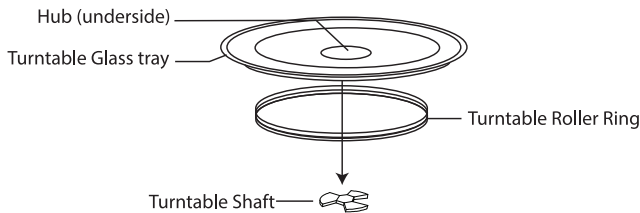
LED Display	Cooking time, power, indicators and present time are displayed.
Preset Menus	Instant settings to cook popular foods.
Timer/ Clock	<ul style="list-style-type: none"> <li>• Press to set clock time.</li> <li>• Press to set cooking timer.</li> </ul>
Defrost	<ul style="list-style-type: none"> <li>• Press once to defrost by time.</li> <li>• Press twice to defrost by weight.</li> </ul>
Power Level	Press to set microwave cooking power level.
Number Pad (0 - 9)	<ul style="list-style-type: none"> <li>• Use to set cooking time or food weight.</li> <li>• For Express Cook, press numbers 1 to 6.</li> </ul>
Stop / Cancel Button	<ul style="list-style-type: none"> <li>• Press once to pause cooking.</li> <li>• Press twice to cancel and clear settings.</li> <li>• Press and hold for 3 seconds to activate or deactivate Child Lock.</li> </ul>
Start Button (+ 30 SEC.)	<ul style="list-style-type: none"> <li>• Press to start the selected cooking programme.</li> <li>• Press repeatedly to add 30 seconds. Cooking starts automatically at full microwave power.</li> </ul>

# CONTROLS AND OPERATIONS

## Before first use:

- Remove all packaging materials and accessories.
- Remove any protective film found on the appliance cabinet surface.
- Do not remove the light brown wave guide that is attached to the appliance cavity to protect the magnetron.
- Wash all accessories in detergent and water.
- Thoroughly dry all accessories and re-assemble in appliance.

## Turntable Installation



## Assemble the turntable:

1. Align and insert the turntable shaft into the hole located at the base of the appliance, in the center.
2. Place the turntable roller ring on to the base of the appliance, aligning with the round shape groove.
3. Place the turntable glass tray on top of the turntable roller ring, ensure that it is aligned and positioned properly with the turntable shaft.

## Note:

- Never place the glass tray upside down.
- The glass tray should never be restricted.
- Both glass tray and turntable ring assembly must always be used during cooking.
- All food and containers of food are always placed on the glass tray for cooking.
- If glass tray or turntable ring assembly cracks or breaks, contact our service center.

## Before operating the appliance:

- Before turning on the appliance, ensure that there is nothing inside the appliance, except for its accessories (i.e. turntable roller ring & glass tray).
- Plug appliance into outlet and turn on main switch.
- Place food ingredients onto turntable glass tray in the appliance.
- Proceed to operating the appliance.

## Operating the appliance:

- When the appliance is first powered on, a beep will sound and the display will show "1:01".
- While setting functions, the appliance will enter standby mode if no operation is performed within 30 seconds. This is normal.
- During cooking, you can pause the operation by pressing the Stop / Cancel button once. Press the Start button to resume. To cancel the function, press the Stop / Cancel button twice.
- When cooking is complete, the display will show "End" and the appliance will beep 4 times. It will continue to beep every 2 minutes until the Stop / Cancel button is pressed or the door is opened.
- While setting functions or operating the appliance, a single beep will sound when a button is pressed. If the beep sounds twice, it indicates that the selected function or button cannot be used.

## Setting the Clock Time

This appliance supports 12-hour or 24-hour clock mode. You can choose the desired mode by pressing the Timer/Clock button in standby mode.

1. In standby mode, press and hold the Timer/Clock button for 3 seconds to select the 12-hour clock. Press it again to select the 24-hour clock.
2. Use the number buttons (0–9) to enter the correct time in 4 digits (HH:MM).
3. Press the Timer/Clock or Start button to confirm.

## Setting the Cooking/ Kitcher Timer

The timer functions as a kitchen timer and can be used during cooking or when the microwave is not operating. The maximum duration that can be set is 99 minutes and 99 seconds.

1. In standby mode or during cooking, press the Timer/Clock button once.
2. Use the number buttons (0–9) to set the desired time, up to 99 minutes and 99 seconds.
3. Press the Timer/Clock or Start button to confirm.

Note:

- When the countdown ends, the buzzer will sound to alert you.
- You can check the remaining time by pressing the Timer/Clock button.
- To cancel the timer, press the Stop/Cancel button while the countdown is displayed.

## DIY Microwave Oven

1. In standby mode, press the Power Level button repeatedly to select the desired power level. The default power level is 100% (P100). Refer to the Cooking Power Level Table below.
2. Use the number buttons (0–9) to set the cooking time (MM:SS). The maximum time is 99 minutes and 99 seconds.
3. Press the Start button to begin cooking.

## Cooking Power Level Table

Press Power Level	Power (Display)	Recommended Usage
Once	100% (P100)	Boiling water, instant noodles, steamed eggs
Twice	90% (P-90)	Reheating soups or liquids
3 times	80% (P-80)	Cooking vegetables, rice, or mixed dishes
4 times	70% (P-70)	Reheating milk or beverages
5 times	60% (P-60)	Cooking or reheating starchy foods (mashed potatoes, rice cakes, Tteokbokki)
6 times	50% (P-50)	Simmering stews, cooking tomato-based sauces
7 times	40% (P-40)	Cooking creamy soups, cheesy rice dishes
8 times	30% (P-30)	Melting butter or chocolate, keeping food warm
9 times	20% (P-20)	Defrosting small items (shrimp, vegetables)
10 times	10% (P-10)	Defrosting seafood, fermenting pastes
11 times	0% (P-00)	Cooling the cavity and components (fan only)

Note: During cooking, you can check the current power level by pressing the Power Level button.

### Express cooking

Express cooking allows you to start cooking immediately without setting the power level. The power level is fixed at full power (P100).

1. In standby mode, press a number button 1–6 once.
2. The appliance will start cooking immediately for the corresponding time in minutes (1–6 minutes).

Number Button	Cooking Time
1	1 Minute
2	2 Minutes
3	3 Minutes
4	4 Minutes
5	5 Minutes
6	6 Minutes

### Start Button/ +30 SEC. Function

- Press to start the selection cooking programme after the menu or settings have been configured.
- In standby mode, press the Start / +30 SEC. button repeatedly to set the cooking time. Each press adds 30 seconds, up to a maximum of 99 minutes and 99 seconds. Cooking will start automatically at full power (P100).

Note: During Express Cooking or microwave cooking, you can add cooking time by pressing the Start / +30 SEC. button.

## Stop/ Cancel Button

- Press once to temporarily pause the cooking process.
- Press twice to cancel cooking and clear the current settings.
- Press and hold for 3 seconds to activate Child Lock function.
- To deactivate the Child Lock, press and hold the button for 3 seconds again.

## Child lock

This safety lock prevents children from any unsupervised operation on the appliance.

1. Press and hold Stop / Cancel button for 3 seconds to activate or deactivate Child Lock.
2. When activated, "LOC" appears on the display and all buttons are disabled.

## Defrost by Time

1. In standby mode, press the Defrost button once.
2. Use the number buttons (0–9) to set the defrosting time. The maximum time is 99 minutes and 99 seconds (refer to the "Recommended Defrost Time Table" below).
3. Press the Start / +30 SEC. button to confirm.

## Recommended Defrost Time

The following table is a recommended time to defrost food, based on the weight of your food. This is just a guide for reference, and the time may vary depending on the food thickness, environment and surrounding as well.

Weight of Food (g)	Recommended Defrost Time (MM:SS)	Weight of Food (g)	Recommended Defrost Time (MM:SS)
100	02:40	1000	26:40
200	05:20	1100	29:20
300	08:00	1200	32:00
400	10:40	1300	34:40
500	13:20	1400	37:20
600	16:00	1500	40:00
700	18:40	1600	42:40
800	21:20	1700	45:20
900	24:00	1800	48:00

## Defrost by Weight

1. In standby mode, press the Defrost button twice.
2. Use the number buttons (0–9) to set the food weight. The weight range is 100g to 1800g.
3. Press the Start / +30 SEC. button to confirm.

## Preset menus

The preset menus allow you to cook or reheat food automatically without entering power level or time. For small portions, simply press the applicable button and start. For larger portions, push the button several times. The Potato, Pizza, Beverage, Frozen Meal, and Reheat preset menus allow you to cook multiple amounts of the same food.

Note: Preset menu results may vary depending on factors such as the size and shape of the food, personal preference for doneness, and how the food is positioned in the oven. If the cooking result is not satisfactory, adjust the cooking time slightly and cook again as needed.

### A) Potato

The regular per serving size for potatoes is approximately 230g.

1. Press the Potato button according to the number of servings (refer to table below). The LED display will show the serving portion based on the number of times the button is pressed.
2. Press the Start / +30 SEC. button to confirm.

No. of Times to Press Button	LED Display – Based on Serving Portion	Cooking Duration (MM:SS)
Once	1 ≈ 230g	06:00
Twice	2 ≈ 460g	09:00

### B) Popcorn

Popcorn preset menu automatically sets the cooking time for a 100g bag of microwave popcorn.

1. Press Popcorn button once. The LED display will show 100 (g), the cooking duration is 2 minutes 30 seconds.
2. Press the Start / +30 SEC. button to confirm.

Note: For a better cooking effect, when cooking a large bag of microwave popcorn, it is required to fold the four corners of the package.

### C) Pizza

The regular per serving size for pizza is approximately 150g.

1. Press the Pizza button according to the number of servings (refer to table below). The LED display will show the serving portion based on the number of times the button is pressed.
2. Press the Start / +30 SEC. button to confirm.

No. of Times to Press Button	LED Display – Based on Serving Portion	Cooking Duration (MM:SS)
Once	150	01:00
Twice	300	01:30
Three times	450	02:00

#### D) Beverage

The regular per serving cup size for beverage is approximately 200ml.

1. Press the Beverage button according to the number of servings (refer to table below). The LED display will show the serving portion based on the number of times the button is pressed.
2. Press the Start / +30 SEC. button to confirm.

No. of Times to Press Button	LED Display – Based on Serving Portion	Cooking Duration (MM:SS)
Once	1 ≈ 200ml	01:40
Twice	2 ≈ 400ml	03:00
3 times	3 ≈ 600ml	04:20

#### E) Frozen Meal

The regular per serving size for frozen meal is approximately 250g.

1. Press the Frozen Meal button according to the number of servings (refer to table below). The LED display will show the serving portion based on the number of times the button is pressed.
2. Press the Start / +30 SEC. button to confirm.

No. of Times to Press Button	LED Display – Based on Serving Portion (g)	Cooking Duration (MM:SS)
Once	250	07:00
Twice	500	11:00

#### F) Reheat

1. Press the Reheat button according to the number of servings (refer to table below). The LED display will show the serving portion (in grams) based on the number of times the button is pressed.
2. Press the Start / +30 SEC. button to confirm.

No. of Times to Press Button	LED Display – Based on Serving Portion (g)	Cooking Duration (MM:SS)
Once	200	02:00
Twice	300	02:40
3 times	400	03:20
4 times	500	04:00
5 times	600	04:40
6 times	700	05:20
7 times	800	06:00

## **Cooking Guide Information**

This cooking technique information below helps you to select the basic settings for the ingredients you want to prepare. Note: Keep in mind that these settings are just a general guideline. Actual cooking timing may vary by the different types of food. E.g., size and quantity of food, thickness of meat. There is no guarantee on the best setting for your ingredients.

- Arrange food evenly in the dish, placing the thickest parts towards the edges for better cooking.
- Start with the shortest recommended cooking time, then add more if needed. Overcooked food may smoke or catch fire.
- Always cover food with a microwave-safe lid or wrap to prevent splattering and ensure even cooking. Leave a small gap for ventilation.
- Turn food over once during cooking (e.g., chicken, hamburgers). Large items such as roasts must be turned at least once.
- Rearrange small items (e.g., meatballs) halfway through cooking, moving pieces from the centre to the edges and from top to bottom.

### **Notes:**

- Microwave cooking is generally fast (2–3 minutes). Do not exceed 5 minutes at a time without checking food condition.
- Monitor food closely and adjust cooking according to your preference. Avoid overheating.
- For porridge or congee, stir well before heating. Cover with a microwave-safe lid (leave a small gap for ventilation) or a perforated lid.
- During defrosting, turn the food halfway through cooking for more even results.

### **Microwave cooking utensils guide**

- Only use utensils that are suitable for use in microwave ovens. Microwave oven cannot penetrate metal. Therefore, metallic containers for food and beverages are not allowed during microwave cooking. However, this requirement is not applicable if the manufacturer species size and shape of metallic containers that is suitable for microwave cooking.
- Microwave cannot penetrate metal, so metal utensils or dishes with metallic trim should not be used.
- Do not use recycled paper products when microwave cooking, as they may contain small metal fragments which may cause sparks and/or fires.
- Round /oval dishes rather than square/oblong ones are recommended, as food in corners tends to overcook.
- Narrow strips of aluminum foil may be used to prevent overcooking of exposed areas. But be careful don't use too much and keep a distance of 1 inch (2.54cm) between foil and cavity.

The list below is a general guide to help you select the correct utensils:

Cookware	Microwave Cooking
Heat-resistant glass	Yes
Non heat-resistant glass	No
Heat-resistant ceramics	Yes
Microwave-safe plastic dish	Yes
Kitchen paper	Yes
Metal tray	No
Metal rack	No
Aluminum foil & foil containers	No

### Material that can be used in microwave oven

Utensils	Remarks
Browning dish	Follow manufacturer's instructions. The bottom of browning dish must be at least 3/16 inch (5mm) above the turntable. Incorrect usage may cause the turntable to break.
Dinnerware	Microwave-safe only. Follow manufacturer's instructions. Do not use cracked or chipped dishes.
Glass jars	Always remove lid. Use only to heat food until just warm. Most glass jars are not heat resistant and may break.
Glassware	Heat-resistant microwave oven glassware only. Make sure there is no metallic trim. Do not use cracked or chipped dishes.
Microwave oven cooking bags	Follow manufacturer's instructions. Do not close with metal tie. Make slits to allow steam to escape.
Paper plates and cups	Use for short-term cooking/ warming only. Do not leave appliance unattended while cooking.
Paper towels	Use to cover food for reheating and absorbing fat. Use with supervision for a short-term cooking only.
Parchment paper	Use as a cover to prevent splattering or a wrap for steaming.
Plastic	Microwave-safe only. Follow the manufacturer's instructions. Should be labeled "Microwave Safe". Some plastic containers soften, as the food inside gets hot. "Boiling bags" and tightly closed plastic bags should be slit, pierced or vented as directed by package.
Plastic wrap	Microwave-safe only. Use to cover food during cooking to retain moisture. Do not allow plastic wrap to touch food.
Thermometers	Microwave-safe only (meat and candy thermometers).
Wax paper	Use as a cover to prevent splattering and retain moisture.

## Materials to be avoided in microwave oven

Utensils	Remarks
Aluminum tray	May cause arcing. Transfer food into microwave-safe dish.
Food carton with metal handle	May cause arcing. Transfer food into microwave-safe dish.
Metal or metal-trimmed utensils	Metal shields the food from microwave energy. Metal trim may cause arcing.
Metal twist ties	May cause arcing and could cause a fire in the appliance.
Paper bags	May cause a fire in the appliance.
Plastic foam	Plastic foam may melt or contaminate the liquid inside when exposed to high temperature.
Wood	Wood will dry out when used in the microwave oven and may split or crack.

## CLEANING AND MAINTENANCE

- Turn off the oven and unplug the power cord from the wall when cleaning.
- Keep the inside of the oven clean. When food splatters or spilt liquids adhere to oven walls, wipe with a damp cloth.
- Do not immerse the appliance into the water. Clean it with a soft and gentle damp cloth.
- Only the accessories can be washed in detergent and water.
- Mild detergents may be used if the oven gets very dirty.
- Avoid using spray or other harsh cleaners. They may stain, streak or dull the door surface.
- The outside of the oven should be cleaned with a damp cloth. To prevent damage to the operating parts inside the oven, water should not be allowed to seep into the ventilation openings.
- Wipe the door and window on both sides, the door seals and adjacent parts frequently with a damp cloth to remove any spills or spatters. Do not use abrasive cleaner.
- Do not use any steam cleaner.
- Do not allow the control panel to come in direct contact with water and get wet. Clean with a soft, damp cloth. When cleaning the control panel, leave the oven door open to prevent the oven from accidentally turning on.
- If steam accumulates inside or around the outside of the oven door, wipe with a soft cloth.
- This may occur when the microwave oven is operated under high humidity condition. And it is normal.
- It is occasionally necessary to remove the glass tray for cleaning. Wash the tray in warm sudsy water or in a dishwasher.

- The roller ring and the base of the oven cavity should be cleaned regularly to avoid excessive noise. Simply wipe the bottom surface of the oven with mild detergent. The roller ring may be washed in mild, soapy water or in a dishwasher. When removing the roller ring, be sure to put it back in the proper position.

Note:

- The oven should be cleaned regularly and any food deposits should be removed.
- Failure to maintain the oven in a clean condition could lead to deterioration of the surface that could adversely affect the life of the unit and could possibly result in a hazardous situation.

**Cleaning Tips**

- Remove odors from your oven by combining a cup of water with the juice and skin of one lemon in a microwaveable bowl. Microwave for 5 minutes. Wipe thoroughly and dry with a soft cloth.

**TROUBLESHOOTING**

Problem	Cause of Issue	Solution
Appliance cannot be turned on.	Plug is not secure in main switch.	Check to ensure the appliance is plugged in securely. If not, remove the plug from the outlet, wait 10 seconds, and plug it in again securely.
	Blown circuit fuse or tripped main circuit breaker.	Fix blown circuit / main circuit breaker
		Test the outlet with another appliance to confirm if the circuit or the appliance itself is faulty.
	Appliance is not working.	Please contact the Service Centre for repair.
Appliance does not heat.	The door is not closed properly.	Ensure that the door is securely closed, engaging the safety interlock feature. If the door is not properly closed, the microwave energy will not flow inside, and the appliance will not work.
Turntable glass tray make noise when the appliance is in operation.	Roller ring and the base of the appliance cavity is dirty.	Refer to "CLEANING AND MAINTENANCE".



### Disposal

The product must not be disposed of via normal household waste after its service life, but must be taken to a collection station for recycling of electrical and electronic devices. The symbol on the product, the operating instructions or the packaging indicates such disposal procedures. The materials recyclable in accordance with their respective symbol. By means of re-use, material recycling or any other form of recycling old appliances, you are making an important contribution to the protection of our environment.



Keep the original packaging in a safe place so that you may use it in the event that transportation or shipping of the product becomes necessary.

## Warranty & Customer Service

SCAN FOR



e-Warranty

**e-Warranty Registration at [www.mayer.sg](http://www.mayer.sg)**

### MAYER MARKETING PTE LTD

Customer Service Hotline: 6542-8383 (Mon - Fri 9:00am to 5:00 pm)

#### Service Centre Operating Hours:

Mon - Fri: 9:00am to 5:00pm

Sat: 9:00am to 12:00pm

Closed on Sunday & Public Holidays

71 Ubi Crescent, #06-02, Excalibur Centre, Singapore 408571.

For more information on warranty policy, please visit:  
<https://mayer.sg/pages/warranty-return-and-exchange-policy>