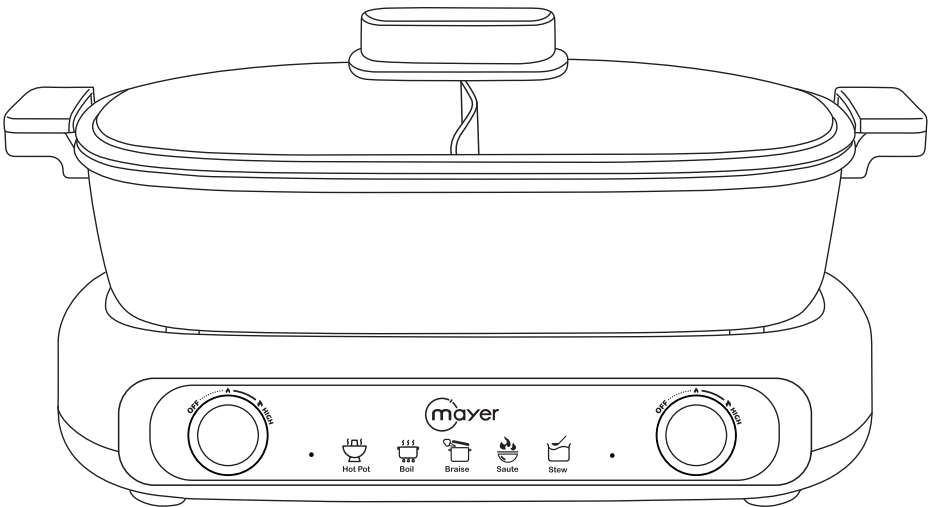




Yuan Yang Hot Pot MMYYHP70



HOT POT

Please read this instruction manual thoroughly before operating and keep it for future reference

IMPORTANT SAFETY INSTRUCTIONS

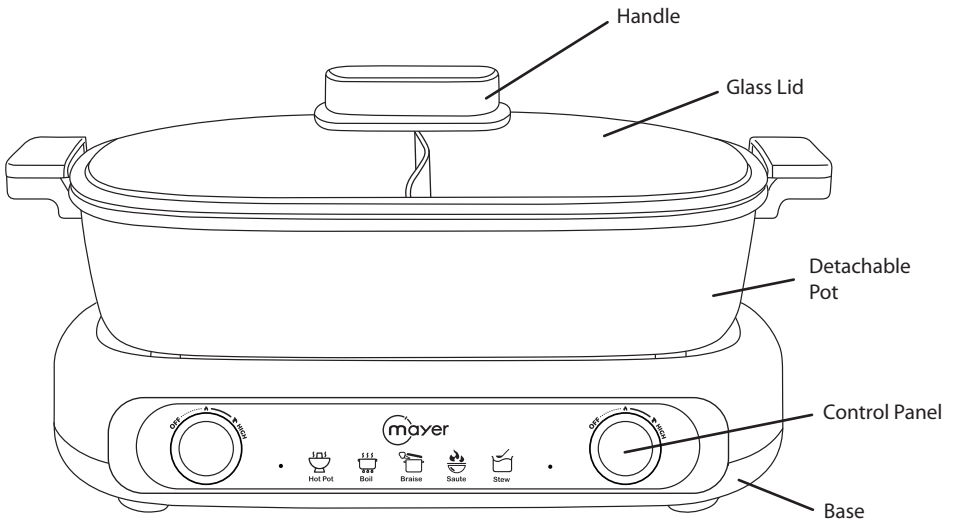
- This appliance is not intended for use by persons (including children) with reduced physical, sensory or mental capabilities, or lack of experience and knowledge unless they have been given supervision or instruction concerning the use of the appliance by a person responsible for their safety.
- Children should be supervised to ensure that they do not play with the appliance.
- Do not operate any appliance with a damaged cord or plug or after the appliance malfunctions, or has been dropped or damaged in any manner. If the power cord is damaged, it must be replaced by the Service Centre to avoid a hazard.
- When using electrical appliances, basic safety precautions should always be followed to reduce the risk of fire, electric shock, and/or injury.
- Unplug from the outlet when not in use and before cleaning.
- Do not unplug the appliance by pulling on the cord.
- Use the accessories from the appliance only, as other accessories not from the appliance may cause fire, electric shock or injury.
- Please remove the protective film and stickers on the appliance before you first use.
- Do not let cord hang over edge of table or counter or touch hot surfaces.
- Always ensure that the power plug and socket remain dry. Avoid inserting or pulling the power plug with wet hands to prevent electric shock.
- Do not place the appliance on or near hot gas, electric stoves, in heated ovens, or any flammable materials.
- Do not place any papers, plastics, or other flammable items into the appliance to avoid fire hazards.
- Extreme caution must be used when moving the appliance containing hot oil or other liquids.
- Do not use the appliance for other than intended purpose.
- Do not place the appliance against a wall or directly next to other appliances. Leave at least 10cm of free space around the appliance when in use.
- Do not cover the air inlet or the outlet when the appliance is operating.
- Avoid any liquid from entering the appliance to prevent electric shock or short-circuit.
- Before using the product, ensure that the surface of the heating plate and bottom of the pot is clean.
- The glass cover is fragile, please prevent it from colliding with hard objects or falling from a high place to avoid breakage and damage.
- In case of dry burning due to water shortage, please unplug the power supply immediately and wait for appliance to cool down before operating again. Do not touch the heating parts with bare hands to prevent burns.

- Anytime when not using the appliance, turn the control knob to OFF position, and unplug from power supplier socket immediately.
- Beware and careful when using the appliance to fry, as the heated oil is extremely hot.
- Do not overfill the pot of this appliance. It is recommended to fill the pot no more than 2/3 with food or water.
- Do not switch on the appliance if there is no pot on the appliance, or if there is no water or food inside the pot placed in the appliance.
- Do not use sharp cooking tools such as knife, metal spoon, fork, etc., to contact the pot.
- Do not put the detachable pot of the appliance on other heating sources and do not place any container in the pot for heating, it may cause an explosion hazard.
- Do not move the appliance when it is operating.
- Do not put any items over the steam vent.
- To avoid burns, do not touch the steam vent.
- Do not allow the steam to contact your skin when opening the lid.
- Before the appliance is fully cooled down, please hold the lid by the lid handle, and the pot by the handles. Do not touch the other parts that are hot which may scald your hand.
- Incorrect use of the appliance may cause serious burns.
- Do not use outdoors or for commercial purposes. This appliance is only meant for household/ residential use.
- Before using the appliance, ensure that the surface of the heating base and the bottom of the detachable pot is clean.
- When cleaning the appliance, please do not immerse the appliance into water. Water should not contact any exposed electrical area and must be dried at all times, especially before use.
- Do not clean the pot or appliance body with chemical cleansers, steel wool pads or other abrasive materials.
- For best care, wipe the pot dry with a soft, dry cloth immediately after washing. Avoid air-drying, as prolonged exposure to moisture may cause water stains, mineral deposits on the surface.

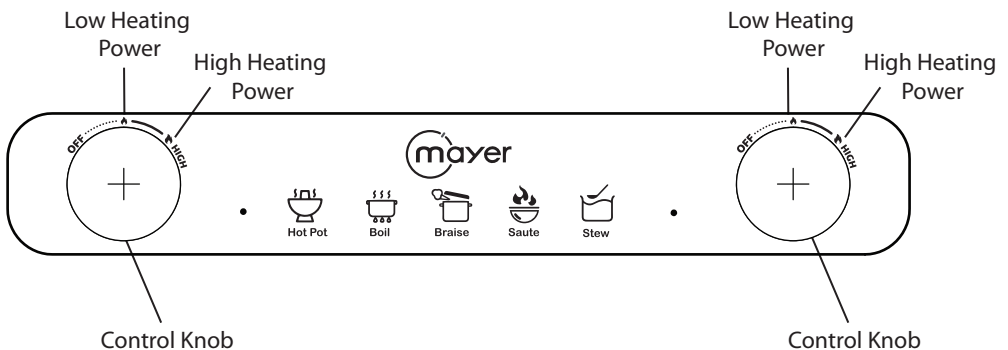
PRODUCT TECHNICAL PARAMETERS

MODEL	RATED VOLTAGE	RATED POWER	GROSS CAPACITY	COOKING CAPACITY
MMYYHP70	220-240V~, 50-60Hz	2000W	7L	5L

INTRODUCTION OF PARTS



Control Panel



CONTROLS AND OPERATIONS

Before first use

- Remove all packaging materials.
- Thoroughly clean the detachable pot, glass lid with some cleansing detergent and a non-abrasive sponge.
- When using the appliance for the first time, it is recommended to boil the water 1-2 times and then discard it.
- Fill water to the detachable pot no more than 2/3 of the pot.
- Never immerse the appliance in water or any other liquid.

Operating the appliance

- Place the detachable pot with the food ingredients on the heating base to ensure that it.
- Connect the power cord into the appliance and ensure the control knob is at "OFF" position.
- Plug in the power cord to the main supply and turn on the main supply.
- Add water or food ingredients into the pot. Make sure the ingredients placed are no more than 2/3 of the pot.
- Turn on the appliance by rotating the knob to "Low Heating Power" or "High Heating Power" to select the desired heating mode.
- The indicator will light up in red when the power is set to "Low Heating Power" or "High Heating Power".
- After water boiled, rotate the control knob to "Low Heating Power" to prevent overflow.
- After using the appliance, turn off the appliance by rotating the knob to the left, back to "OFF" position.

CLEANING AND MAINTENANCE

- Before cleaning the appliance, ensure that the control knob of the appliance is set to “OFF” and the power cord is unplugged from the main switch.
- Once the detachable pot has been cooled down, remove the connecting end of the power cord that is connected to the appliance.
- After use, the appliance must be completely cooled before cleaning.
- Only the lid and the detachable pot can be washed in water with cleaning detergent.
- Do not use strong washing products such as scrubbing powder, cleaning paste, etc., as it will damage the detachable pot.
- Do not use any abrasive, scouring or metal sponge to clean the appliance.
- Always use a gentle and soft sponge with some liquid detergent to wash the detachable pot.
- If dirt is stuck, fill the pot with hot water with some dish-washing liquid and soak for approximately 10 minutes.
- Do not immerse the heating base and power cord into water or other liquids for cleaning as this will damage the appliance and its electrical components.
- Do not place the appliance in the dishwasher or dish dryer.
- After every use, use a damp cloth to wipe the power cord and outer surface of the heating base. After wiping with a damp cloth, wipe it with a dry cloth to ensure it is thoroughly dry before keeping and storage.
- For best care, wipe the pot dry with a soft, dry cloth immediately after washing. Avoid air-drying, as prolonged exposure to moisture may cause water stains, mineral deposits on the surface.

Descaling

Regular descaling helps maintain heating performance and prolongs the service life of the appliance.

The frequency of descaling depends on water hardness and frequency of use. When using tap water regularly, descaling is recommended after approximately every 8–10 boiling cycles.

1. Mix water and white vinegar or a commercially available descaling agent in a ratio of 2:1.
2. Pour the solution into the pot.
3. Select Menu 01 and heat the solution until boiling.
4. Allow the solution to remain inside the pot for approximately 30 minutes.
5. Pour away the solution and rinse thoroughly with clean water.
6. Boil fresh water 4–5 times to remove any remaining residue. Discard the water after each cycle.
7. Repeat the process if heavy scale deposits remain.

TROUBLESHOOTING

Problem	Cause of Issue	Solution
The appliance is not working.	The control knob is not at "Low" or "High" position.	Turn the control knob to "Low" or "High".
	The power cord is not plugged into the main socket properly.	Plug in the power cord into main socket securely.
	The main socket is off.	Switch on the main socket.
The indicator light does not light up.	The power cord is not plugged into the main socket properly.	Plug in the power cord into main socket securely.
	The main socket is off.	Switch on the main socket.
White spots or patches appear on the inner pot surface.	Water spots or mineral deposits caused by hard water or residual moisture after washing.	Wipe the pot dry with a soft, dry cloth immediately after washing. Avoid air-drying. If mineral deposits have accumulated, descale the appliance according to the instructions in the Cleaning and Maintenance section.