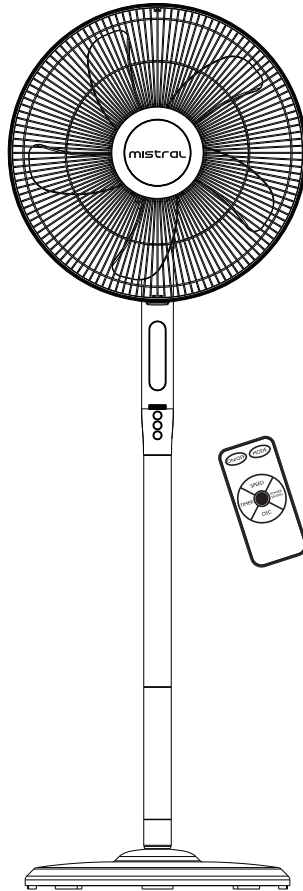


# mistral

## 16" Stand Fan with Remote MSF041R



### STAND FAN

Please read this instruction manual thoroughly before operating and keep it for future reference

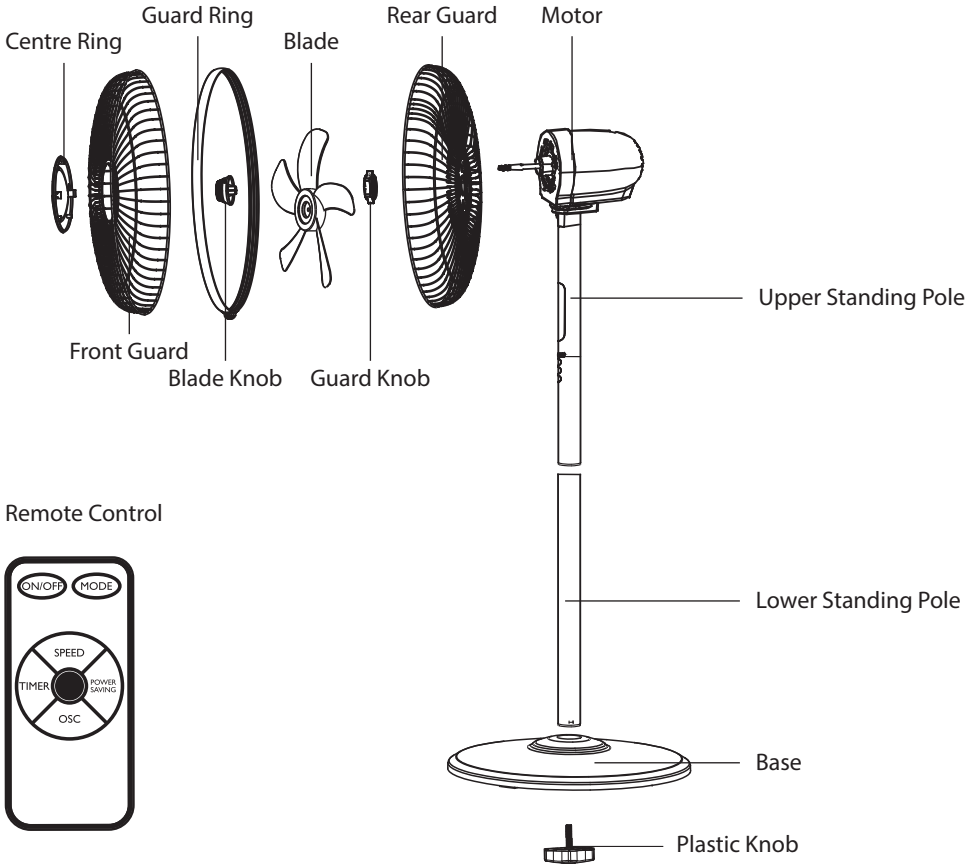
## IMPORTANT SAFETY INSTRUCTIONS

- This appliance is not intended for use by persons (including children) with reduced physical, sensory or mental capabilities, or lack of experience and knowledge unless they have been given supervision or instruction concerning the use of the appliance by a person responsible for their safety.
- Children should be supervised to ensure that they do not play with the appliance.
- Do not operate any appliance with a damaged cord or plug or after the appliance malfunctions, or has been dropped or damaged in any manner. If the power cord is damaged, it must be replaced by the Service Centre to avoid a hazard.
- When using electrical appliances, basic safety precautions should always be followed to reduce the risk of fire, electric shock, and/or injury.
- Do not immerse appliance, cord or plug in water or other liquid.
- Unplug from the outlet when not in use and before cleaning.
- Do not unplug the appliance by pulling on the cord.
- Use the accessories from the appliance only, as other accessories not from the appliance may cause fire, electric shock or injury.
- Never insert fingers, pencils or any other object through the fan guards when the fan is running.
- Unplug the appliance when moving it from one location to another.
- Ensure that the appliance is switched off from the power supply before removing the guards for cleaning and maintenance.
- Do not use the appliance near the window, as wet weather may cause an electrical hazard.
- Do not leave the appliance operating when not in use.
- The appliance is intended for household and indoor use only.
- Year 1 – 2 of use: It is recommended to switch off the fan and allow the motor to rest for at least 1 hour after 10 hours of use. After 2 Years of Use: It is recommended to switch off the fan and allow the motor to rest for at least 1 hour after 3 hours of use. For your own safety, please clean your fan regularly. Accumulation of dust/ pet dander etc. may lead to motor fire or pose a fire hazard.

# PRODUCT TECHNICAL PARAMETERS

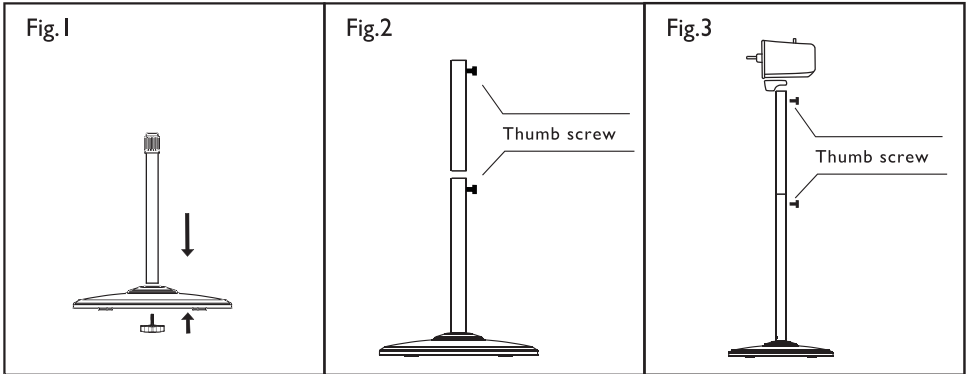
MODEL	RATED VOLTAGE	RATED POWER	AIR VOLUME	MAX AIR FLOW
MSF041R	220-240V ~ 50Hz	55W	60 m <sup>3</sup> /min	5.7m/s

# INTRODUCTION OF PARTS



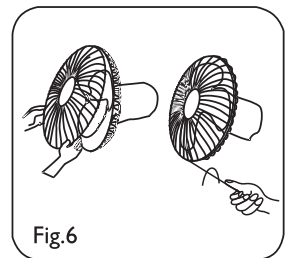
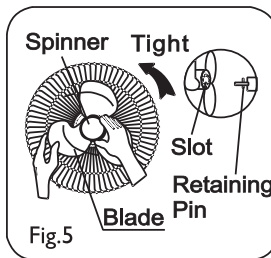
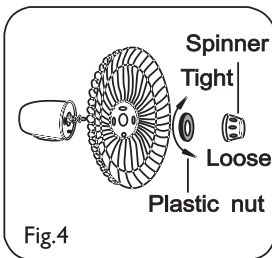
# CONTROLS AND OPERATIONS

- Open the gift box and check the parts by referring to the parts illustration drawing.
- Insert the lower standing pole into the base and fasten the base screw. (fig. 1)
- Loosen the thumb screws on the lower standing pole and insert the upper pole into it. (fig. 2).
- Put the fan head into the upper standing pole and fasten the thumb screw on the back. (fig. 3).



## Assemble of the blade and guards

- Remove the spinner and the plastic nut from the front of the motor.
- Fix the rear grill into the motor and tighten the plastic nut. (fig. 4)
- Discard plastic sleeve on shaft. Insert the blade into shaft. Make sure the stopper pin is fitted into groove of the blade. Turn the spinner counter clockwise to tighten the blade. (fig. 5)
- Loose the screw on the clip. Then fix both grills with plastic rim and use a screwdriver to tighten the locking screw. (fig. 6)



## Control Panel:

### ON/OFF

- This button is for switching on the fan, it will start at low speed.
- Press this button again to switch off the fan.

### SPEED

- After the fan has started operating, press this button to select the desired fan speed.
- The sequence is 1,2 and 3 when the key being touched repeatedly.

### MODE KEY

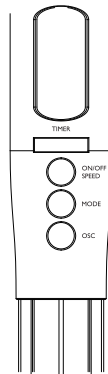
- Press this key to select mode. The sequence is normal, natural and sleep when the key is pressed continuously
- NORMAL MODE  
The fan blows continuously from 1 to 3 depending on the power speed that was set.
- NATURAL MODE  
The fan speed imitates that of the nature breezes.
- SLEEP MODE  
The fan speed fluctuates high and low, combining with natural mode.

### OSC KEY

- Press this key to control the fan oscillation.

### TIMER KEY

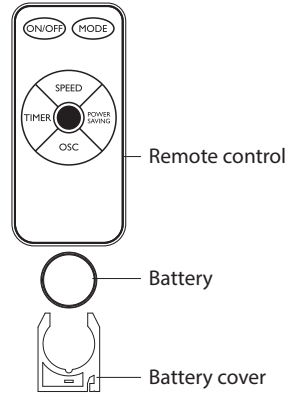
- Slide the key from left to right to set the timer of your choice between 0 to 8 hours.



## Remote Control:

### REMOTE CONTROL OPERATION

- Point the remote control towards the fan press the desired key.
- The remote control will work as distances of up to roughly five meters and the angle of 30 degree from panel LED display.
- Ensure there is no direct sunlight facing the same direction.
- Remove batteries before disposing remote control.



### BATTERIES

- slide the battery compartment cover.
- Insert the batteries, and make sure that the batteries are placed as shown in the Battery Compartment diagram.
- Slide back the battery cover.

### Notes:

- Do not use rechargeable batteries.

### Tilt Adjusting :

- To adjust the air flow upward or downward, push the guards lightly to the desired direction.

### Height Adjusting :

- The lower standing pole can be taken off to adjust to a shorter height.

## CLEANING AND MAINTENANCE

The fan requires minimal maintenance. Do not try to fix it by yourself.

- Before cleaning and assembling, do not plug the power cord into the socket.
- To ensure that there is adequate air circulation to the motor keep vents at the rear of the motor housing from dust, fluff, etc.
- Do not be used a vacuum cleaner to clean these vents before unplug.
- Do not disassemble the fan to remove fluff.
- Please wipe the exterior parts with a soft cloth which is soaked in mild detergent.
- Do not use any abrasive detergent or solvents to which may scratch the surface.
- Do not use any of followings as cleaning agent: gasoline, thinner, bending.
- Do not allow water or any other liquid into motor housing or interior parts.

Cleaning:

- Be sure to unplug the fan from the electrical supply mains before cleaning.
- Plastic parts should be cleaned with a soft cloth moisten with mild soap. Thoroughly remove soap film with dry cloth.