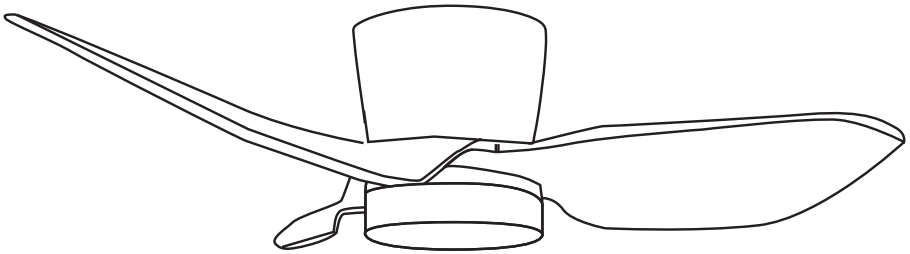


# mistral

## **36" Ceiling Fan** **Solar 36**



### **CEILING FAN**

Please read this instruction manual thoroughly before operating and keep it for future reference

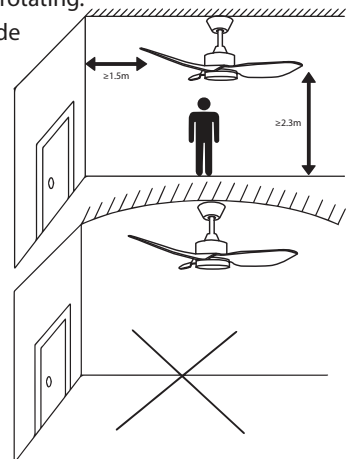
# IMPORTANT SAFETY INSTRUCTIONS

## Warning

- This appliance is not intended for use by individuals with reduced physical, sensory, or mental capabilities, or those who lack experience and knowledge unless they have been given supervision or instruction by a person responsible for their safety.
- Children should be supervised at all times while in use.
- Do not use the appliance if the cord or plug is damaged, if the appliance has malfunctioned, or if it has been dropped or damaged in any way. If the power cord is damaged, it should be replaced by the Service Centre to avoid any hazards.
- Always follow basic safety precautions when using electrical appliances to reduce the risk of fire, electric shock, and/or injury.
- Do not immerse the appliance, power cord, or power plug in water or any other liquid.
- Always unplug the appliance from the outlet when not in use and before cleaning.
- Never unplug the appliance by pulling on the cord.
- Only use accessories that come with the appliance, as other accessories may cause fire, electric shock, or injury.

## Ceiling Fan Safety Instructions

- Turn the fan off when not in use, before disassembling, or cleaning. Be sure to fully assemble the fan before switching the power on.
- Do not use any attachments that are not provided by the manufacturer.
- The fan blades supplied for this fan are matches to minimize wobble.
- Do not mix the fan blade sets if installing more than one fan.
- Do not attempt to dismantle the fan yourself.
- Do not separate the reverse switch until the fan has come to a complete stop.
- Do not insert anything into the fan blades while they are rotating.
- To reduce the risk of personal injury, do not bend the blade brackets (also referred to as flanges) during assembly or after installation. Do not insert objects in the path of the blades.
- Avoid fixing inside a dome ceiling.
- According to safety regulations, please follow all the explanations below:
  - The lowest point of the fan blade must be mounted above 2.3m from the floor.
  - For the fan installed enclosed outdoors, the fan must be installed at least 1.5m from the perimeter of roof/eaves of the enclosure to protect the appliance from direct or indirect rain water or sunlight.



# PRODUCT TECHNICAL PARAMETERS

MODEL	RATED VOLTAGE	RATED POWER	WEIGHT
SOLAR 36	220-240V~; 50-60Hz	64W (DC Fan: 40   Light: 24W)	5.42 KGS

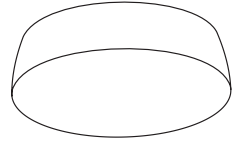
# INTRODUCTION OF PARTS



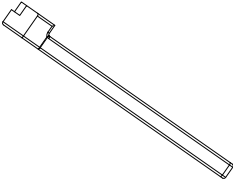
Mounting Plate



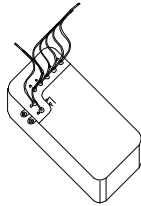
Motor Cover



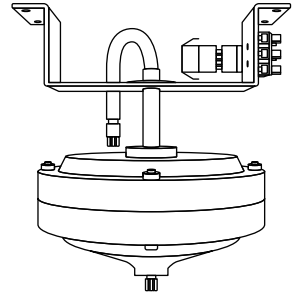
LED Light Kit  
+ Lamp Shade



Blades x3



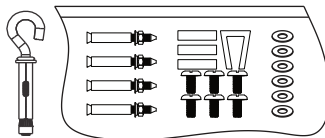
Receiver



Motor + Support plate  
(pre-assembled)



Remote Control

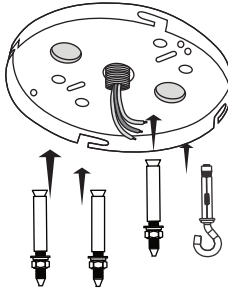


- 6x Screws & washers
- 4x Screws for concrete ceiling
- 1x J hook screw for concrete ceiling
- 1x Balance kit

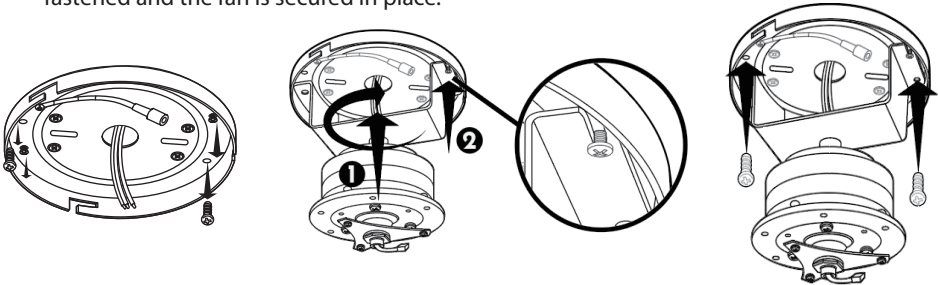
# CONTROLS AND OPERATIONS

## Mounting the Hanging Bracket Installation

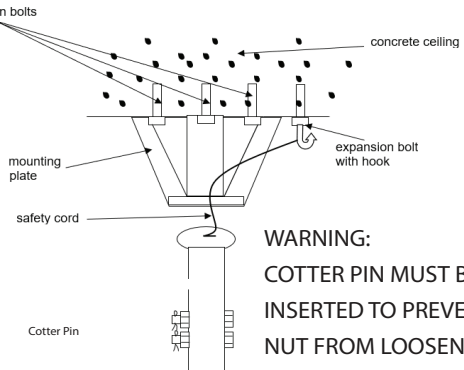
- Secure the mounting plate to the ceiling joist or suitable structure that is capable of carrying a load of at least 45kg.
- Install expansion screws and J-Hook into the support at least 30mm.



- Remove the four screws from the mounting bracket, carefully lift the fan, and slowly place the suspension bracket upward onto the ceiling mounting bracket, as shown in the figure.
- The suspension bracket is secured using the screws provided. Ensure that screws are fastened and the fan is secured in place.



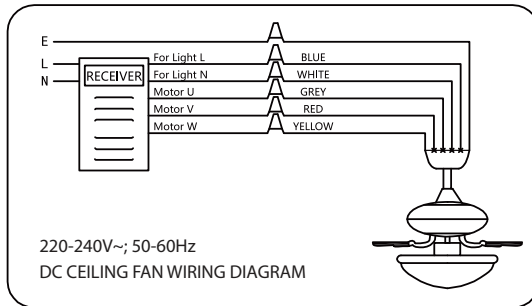
- Diagram Showing the 3 Expansion Bolts, Safety Cord, Expansion Bolts with Hook and Mounting Plate of Ceiling Fan.



**WARNING:**  
COTTER PIN MUST BE  
INSERTED TO PREVENT THE  
NUT FROM LOOSENING!

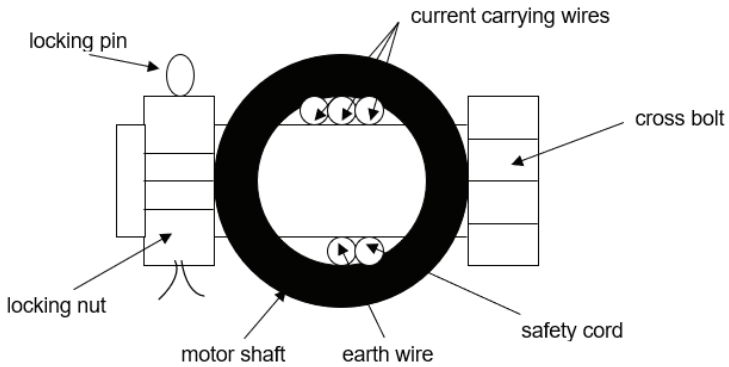
**WARNING:** To avoid injuries or damages, be sure to turn off the power to the fuse box before wiring.

- Connect the electrical wiring according to the Diagram below:



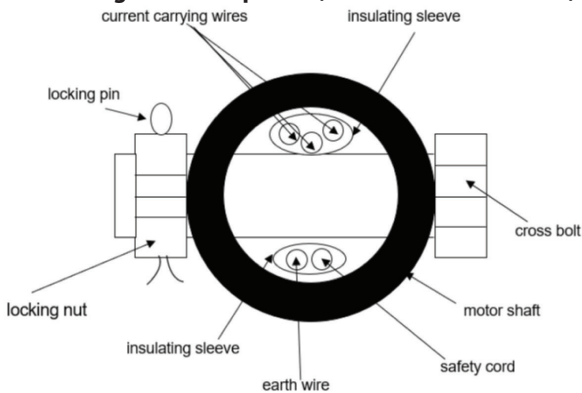
- Drawings Showing Acceptable and Not Acceptable Fan Motor Shaft for Decorative Ceiling Fan

**Figure A: Not Acceptable (Wires Under Stress)**



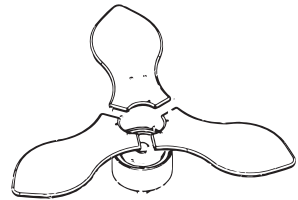
- Please note that when safety wires go through the motor shaft, it needs to be in sleeve under CPS Requirement.

**Figure B: Acceptable (Wires Not Under Stress)**



### Fan blade installation

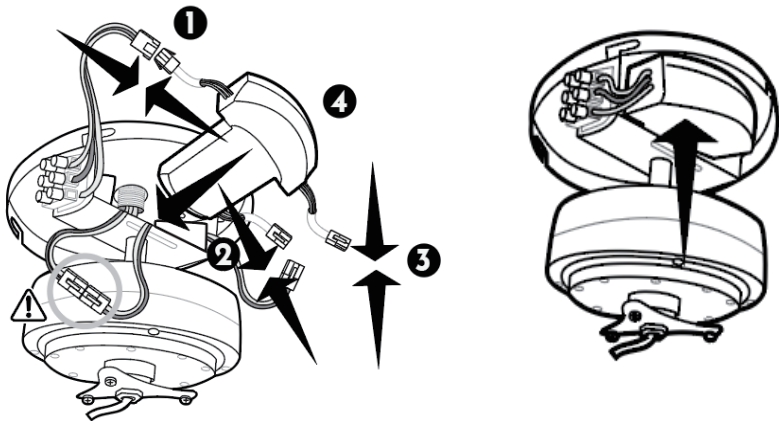
- Take out the corresponding screw on the motor.
- Point the fan blade at the corresponding hole on the motor, and tighten it with the removed screw.



### Receiver place

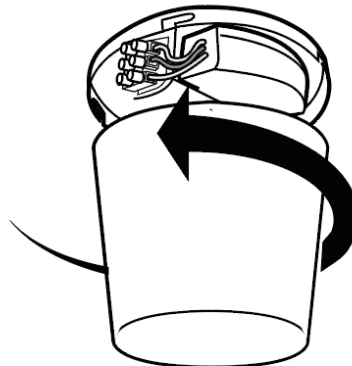
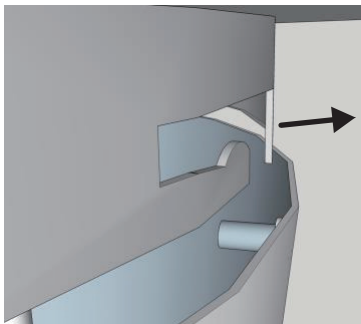
**WARNING:** Turn off the main switch at the DB (Electrical distribution box).

- Place the receiver into the hanging bracket at the opposite side of the wiring terminal block.
- Simply connect the male and female couplings, and then ensure remote control receiver and all excess wiring is retained inside the ceiling canopy.



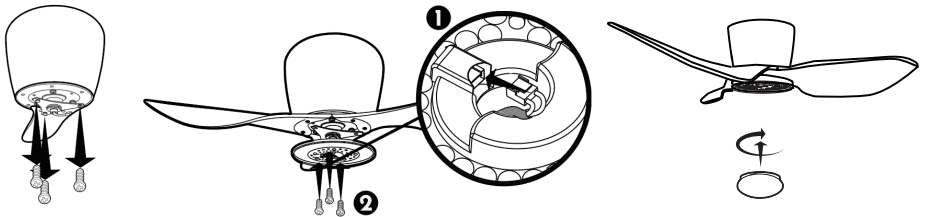
### Install the top canopy

- Place the canopy cover to cover the hanging bracket in. Ensure all the 4 locking pins aligned with the ceiling mounting bracket slot before attached the canopy cover.
- Turn anti-clockwise to secure the canopy cover on the ceiling mounting bracket. Ensure the canopy cover are fully secure.



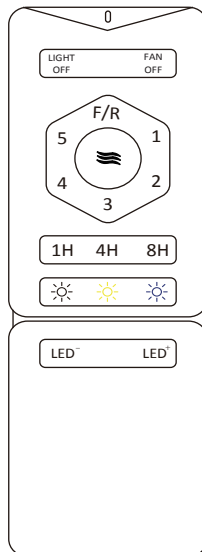
### Install the top canopy

- Remove the screw from the lamp plate connecting piece, install the light kit on the connecting piece, and tighten the screw to fix it.
- Insert the lamp wire into the light kit, and install the lampshade.



### Remote Control

- Turn on the ceiling fan.
- Within the first 20 secs continue pressing the button with the fan on and off until you hear a beep sounds.
- If there is no beep sound, turn off the ceiling fan and try step 1 and 2 again.
- Press the "Fan Off" button to switch on and off the fan.
- Press the numbers button to adjust the speed from 1 - 5.
- Press the "F/R" button to change the fan's direction, forward or backwards. (This function as to circulate the air without feeling the wind.)
- Press the Timer button to adjust between 2 - 8 hours for the automatic fan and light to stop.
- The timer will count from the last selected time.
- Press the "Light Off" to control the light switch.
- Press the "LED +" and "LED -" to adjust the brightness of the LED lights.



## CLEANING AND MAINTENANCE

- Before cleaning, turn off the appliance, cut off the power supply from the electrical outlet and wait for the appliance to cool down.
- To clean the appliance, use a soft cloth to wipe off any dust.
- Do not try to open the appliance without a licensed electrician.
- Improper installation is dangerous.
- Clean the appliance at least once a year.

### Maintenance

- Have the appliance repairs by a licensed electrician.
- This electric appliance is in accordance with the relevant safety requirements.
- Repair should be carried out by licensed electrician using the original spare parts, otherwise this might result in danger to the user.