

The heart of your home
mayer

28 Bottles Wine Cooler

MMWC28MAG

eLeMentAl
series

Please read this instruction manual thoroughly before operating and keep it for future reference

Table of Contents

I. GENERAL SAFETY PRECAUTIONS	2
II. PARTS LIST	3
III. ELECTRICAL DIAGRAM	3
IV. OPERATING YOUR WINE COOLER	4
V. OPTIMIZING PERFORMANCE	5
VI. MAINTENANCE	5
VII. TROUBLESHOOTING	6

MAYER offers no guarantee for our wine cellar if it is being used for any purpose other than that for which it was specifically designed. MAYER is not responsible or liable for any spoilage or damage to wines or any other contents incidental or consequential to possible defects of the wine cellar. Warranty applies to the wine cellar only and not to the content of the wine cellar.

This appliance is not intended for use by persons (including children) with reduced physical, sensory or mental capabilities, or lack of experience and knowledge, unless they have been given supervision or instruction concerning use of the appliance by a person responsible for their safety.

Children should be supervised to ensure that they do not play with the appliance.

I. GENERAL SAFETY PRECAUTIONS

Before Using Your Wine Cooler for the First Time:

Carefully read all instructions before using this wine cooler for the first time. Also make sure the wine cooler stays in an upright position during transportation. After removing the appliance from its packaging, make sure it is in good condition. If there are any issues with the wine cooler, please contact an authorized service center immediately.

- This appliance contains a small quantity of R600A refrigerant which is environmentally friendly, but flammable. It does not damage the ozone layer, nor does it increase the greenhouse effect.
- During transportation and installation, ensure that the tubing of the refrigerant circuit is not damaged.
- Avoid using or manipulating sharp objects near by the appliances.
- Leaking refrigerant can ignite and may damage the eyes.
- In the event any damage does occur, avoid exposure to open fires and any device which creates a spark. Disconnect the appliance from the mains power.
- Thoroughly ventilate the room in which the appliance is located for several minutes.
- Notify Customer Service for necessary action and advice.
- Place the appliance on a level floor surface that will be strong enough to support it when it is at full capacity. To level the wine cooler adjust the leveling feet located at the bottom of the appliance.
- Do not use this wine cooler in applications for which it is not intended. Damage that occurs from improper use or from unauthorized repairs will void the warranty.
- For proper air circulation, please maintain a 50mm minimum clearance in between the back of the wine cooler and the wall.
- Do not operate this wine cooler in excessively moist or humid environments.
- Keep the wine cooler away from direct sunlight.
- Keep the wine cooler away from hazardous materials or combustible/flammable substances.

Δ CAUTION:

- This wine cooler is only designed for freestanding applications.
- **DANGER: RISK OF CHILD ENTRAPMENT:** An empty wine cooler can be dangerous to children. Remove any latches, lids, locks, and/or doors from unused or discarded appliances to prevent child entrapment and suffocation. Never allow children to operate, play with or crawl inside this appliance.

Recommendations:

The location you have selected for your wine cellar should:

- Be unencumbered and well ventilated.
- Keep away from any heat source and direct sunlight.
- Not be too damp
- Have a flat floor
- Away from the microwave oven. Certain microwave ovens do not have wave interference shield. When placed within 1 meter vicinity of the wine cabinet, they may affect the operation of the wine cabinet.

IV. OPERATING YOUR WINE COOLER

It is recommended you install the Wine Cooler in a place where the ambient temperature is between 23°-26°C/72°-78°F. If the ambient temperature is above or below recommended temperatures, the performance of the unit may be affected. For example, placing your unit in extreme cold or hot conditions may cause interior temperatures to fluctuate. The range of 4°-18°C/39°-65°F may not be reached.

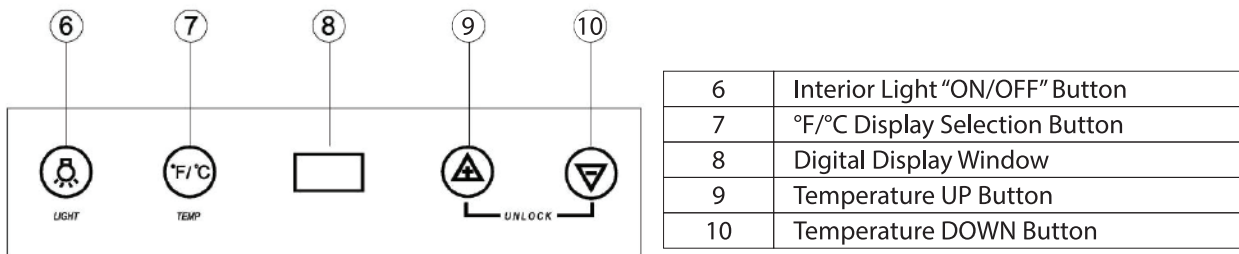
Recommended Temperatures for Chilling Wine.


Red Wines	15° - 18°C	58° - 65°C
Dry/White Wines	9° - 14°C	48° - 57°C
Rose Wines	10° - 11°C	49° - 51°C
Sparkling Wines	5° - 9°C	40° - 47°C

Temperatures Ranges For Your Wine Cooler

Temperature Range	4° - 18°C	39° - 65°C
-------------------	-----------	------------

Control Panel







 You can select temperature display setting from Fahrenheit to Celsius degree by pushing this button (marked # 7 in the graphic above). Fahrenheit or Celsius degrees indicator will appear in white color in the LCD temperature display window with blue background.

Control Panel Lock

- Your Wine cooler is equipped with an AUTOMATIC control panel lock function. This function will prevent any unwanted changes to your temperature or power settings.
- The lock function will activate automatically 12 seconds after the last time a button is pushed on the control panel.
- To unlock the control panel lock press and hold the and the buttons for 3 seconds; the control panel will beep and blink once indicating that the control panel is active and the settings can be changed.

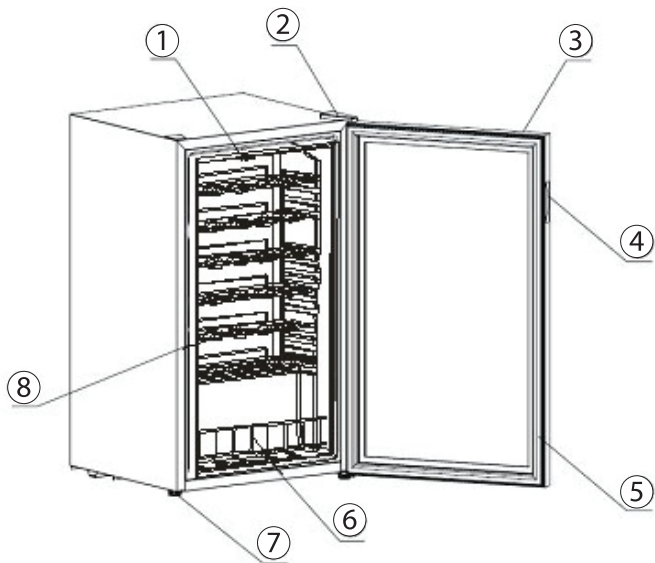
SETTING THE TEMPERATURE CONTROL

- You can set the temperature by pushing the  or  button on the control panel The temperature that you desire to set will increase 1°F or 1°C if you push the  button once, on the contrary the temperature will decrease 1°F or 1°C if you push the  button once.
- When you store mostly red wines, the temperature which you control by pushing the above two buttons need to be set at between 15° - 18°C (58° - 65°F).
- When you store mostly white wines, the temperature needs to be set at between 8° - 14°C (46° - 57°F).
- When you store mostly sparkling wines, the temperature needs to be set at between 8° - 9°C (46° - 47°F).
- Once the temperature is set, it is strongly advised not to adjust frequently.

NOTE:

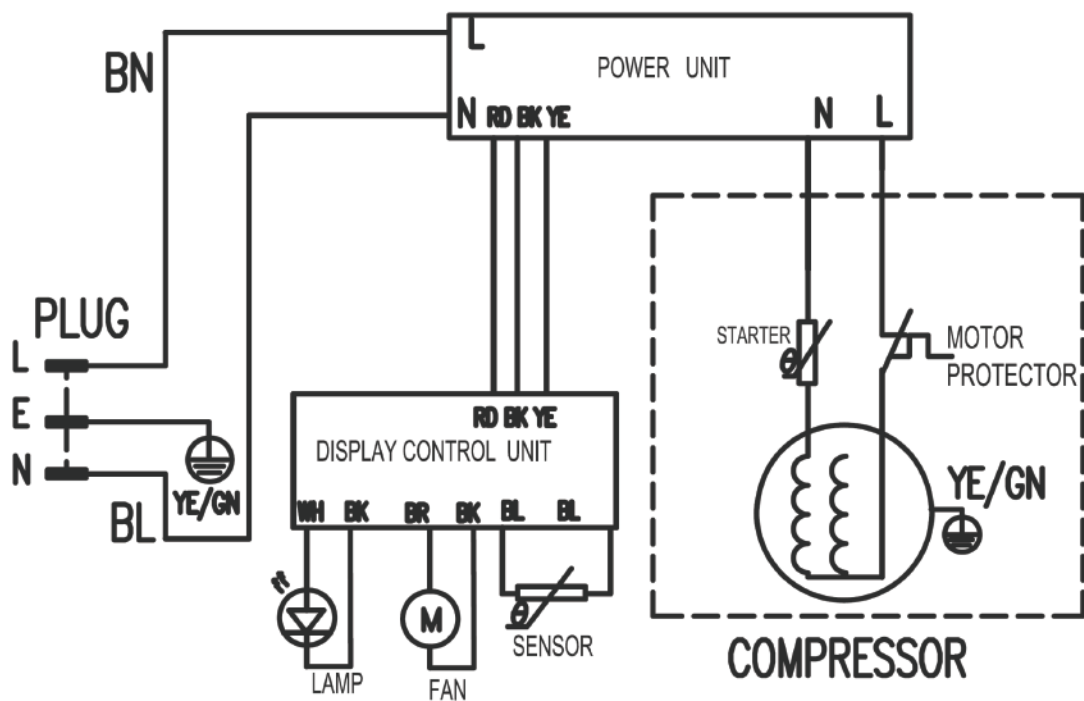
- When you use the wine cooler for the first time or restart the wine cooler after having been shut off for a long time, there could be a few degrees variance between the temperature you select and the one indicated on the LCD readout. This is normal and it is due to the length of the activation time. Once the wine cooler is running for a few hours everything will be back to normal.

II. PARTS LIST



1. Temperature Control and light
2. Hinge Cover
3. Glass Door
4. Recessed Handle
5. Door Seal
6. Bottle Holder
7. Leveling Leg
8. Shelf



III. ELECTRICAL DIAGRAM



Storage Capacity

NOTE: You can place 28 standard bottles in this wine cooler. If you do not have enough bottles to fill your wine cellar, it is better to distribute the load throughout to facilitate air circulation. Many bottles may differ in size and dimensions. As such the actual number of bottles you may be able to store may vary. Bottle capacities are approximate maximums when storing traditional Bordeaux 750ml bottles and include bulk storage.

Interior Light

You can turn the interior light ON or OFF by pushing the button marked with the “bulb” symbol . You have to push the button marked with the “bulb” symbol  again and the light will turn back on.

SPECIFICATIONS

Type	MMWC28MAG	
Volume (liter)	88L	
Material	Case	Iron
	Door	Glass
Unit Dimension (WxDxH)(mm)	430*480*825mm	
Packaging Dimension (WxDxH)(mm)	460*515*845mm	
Net Weight (kg)	26kg	
Gross Weight (kg)	28kg	
Fitting ambient temperature range of working	≤32°C	
Temperature Range	4°C - 18°C	
Rated Voltage	220-240V	
Rated Frequency	50Hz	
Input Power	85W	
Noise Level (dB)	39dB	

V. OPTIMIZING PERFORMANCE

- To ensure maximum performance and efficiency, be sure to place your wine cooler in an area where there is proper air circulation. Also make sure the plumbing and electrical connections are correct.
- Allow for proper clearance around the wine cooler. Below are the recommended clearances:
 - Sides: 19 mm
 - Top: 100 mm
 - Back: 50 mm
- Do not place the unit in direct sunlight.
- Do not place heated wines in your wine cooler.
- Do not move your wine cellar while it is loaded as this might distort the body of the wine cellar.

VI. MAINTENANCE

- Shut off the power supply before cleaning the unit's cabinet.
- Remove all wines and storage shelves.
- Clean the unit's interior with a warm water and neutral detergent solution.
- Thoroughly dry all surfaces.

Please Note:

- a. Do not use abrasive cleaners to clean the wine cooler.
- b. Use mild, soapy water to clean the unit's door seal.
- c. To ensure efficient operation, also thoroughly clean the back and bottom of the wine cooler.

VI. TROUBLESHOOTING

Many common wine cooler problems can be resolved easily, saving you the hassle of a possible service call. Try the suggestions below to see if you can solve your problem before contacting the service agent.

Symptoms	Possible cause	Solutions
The wine cooler does not cool.	<ul style="list-style-type: none"> The unit is not plugged in. The voltage is incorrect. A fuse may be broken. 	<ul style="list-style-type: none"> Plug in the unit. Ensure proper voltage. Have the unit's fuse replaced.
The wine cooler does not get cold enough.	<ul style="list-style-type: none"> The temperature setting may be incorrect. The wine cooler may be placed too close to a heat source. There is insufficient ventilation. The door is not completely closed or the door seal is not working properly. 	<ul style="list-style-type: none"> Make sure the set temperature is correct. Keep the wine cooler away from direct sunlight or other heat sources. Place the wine cooler in an area with proper ventilation and clearances. Close the door tightly. Do not open the door frequently and do not keep the door open for extended periods of time.
The wine cooler seems to make too much noise	<ul style="list-style-type: none"> The unit is not leveled or positioned properly. There is insufficient ventilation. The unit is too close to a wall or another surface. 	<ul style="list-style-type: none"> Adjust the unit's feet and ensure the product is level. Allow sufficient clearance around the unit. Allow sufficient clearance around the unit.
Frost is building up in the unit.	<ul style="list-style-type: none"> There is excess humidity or the interior temperature is too low. 	<ul style="list-style-type: none"> Turn off the wine cooler, unplug it and remove the frost buildup manually. Reconnect the power once the ice has thawed.

LIMITED MANUFACTURER'S WARRANTY

This appliance is covered by a limited manufacturer's warranty. For one year from the original date of purchase, the manufacturer will repair or replace any parts of this appliance that prove to be defective in materials and workmanship, provided the appliance has been used under normal operating conditions as intended by the manufacturer.

Warranty Terms:

During the first year, any components of this appliance found to be defective due to materials or workmanship will be repaired or replaced, at the manufacturer's discretion, at no charge to the original purchaser. The purchaser will be responsible for any removal or transportation costs.

Warranty Exclusions:

The warranty will not apply if damage is caused by any of the following:

- Power failure
- Damage in transit or when moving the appliance
- Improper power supply such as low voltage, defective household wiring or inadequate fuses
- Accident, alteration, misuse or abuse of the appliance such as using non-approved accessories, inadequate air circulation in the room or abnormal operating conditions (extreme temperatures)
- Use in commercial or industrial applications
- Fire, water damage, theft, war, riot, hostility or acts of God such as hurricanes, floods, etc.
- Use of force or damage caused by external influences
- Partially or completely dismantled appliances

Warranty & Customer Service



e-Warranty Registration at <https://www.mayer.sg>

MAYER MARKETING PTE LTD

Customer Service Hotline: 6542-8383

[Mon, Wed & Fri: 9:00am to 6:00pm]

[Tue & Thurs: 9:00am to 8:00pm]

[Sat: 9:00am to 3pm]

Closed: Sunday & Public Holidays

71 Ubi Crescent, #06-02, Excalibur Centre, Singapore 408571

Download Mayer App via

